



DESIGNED BY:

**ALDER & TWEED**

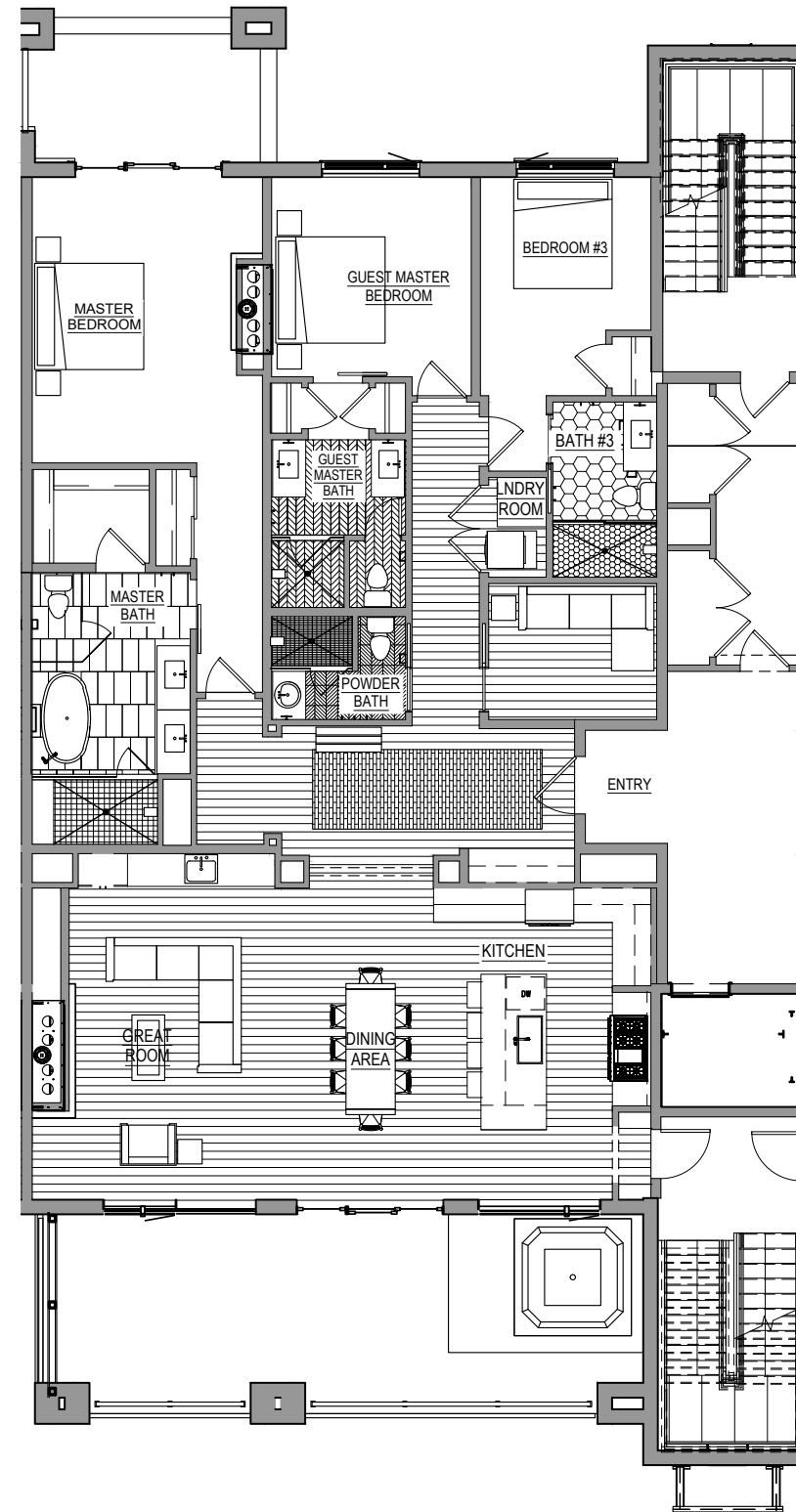
— AIR PALETTE —  
UNITS 203, 303, 403, 503

AUGUST 3, 2018

# TABLE OF CONTENTS

FLOOR PLAN .....	PG: 3	MASTER BEDROOM FINISHES .....	PG: 28
DOORS + WINDOWS FINISHES .....	PG: 4	MASTER BEDROOM FIREPLACE ELEV. ....	PG: 29
FINISHES THROUGHOUT .....	PG: 5	MASTER BATH FINISHES .....	PG: 30
ENTRY FINISHES .....	PG: 6	MASTER BATH PLUMBING & ACCS. ....	PG: 31
ENTRY CEILING .....	PG: 7	MASTER BATH LIGHTING .....	PG: 32
ENTRY BENCH ELEVATION .....	PG: 8	MASTER BATH ACCESSORIES .....	PG: 33
GREAT ROOM FINISHES .....	PG: 9-10	MASTER BATH ELEVATIONS .....	PG: 34-35
FIREPLACE ELEVATION .....	PG: 11	GUEST MASTER BEDROOM FINISHES .....	PG: 36
KITCHEN FINISHES .....	PG: 12-13	GUEST MASTER BATH FINISHES .....	PG: 37
KITCHEN PLUMBING & APPLIANCES .....	PG: 14	GUEST MASTER BATH PLUMBING	
KITCHEN ELEVATIONS .....	PG: 15-17	& ACCESSORIES .....	PG: 38
DINING ROOM FINISHES .....	PG: 18	GUEST MASTER BATH ACCS. ....	PG: 39
WET BAR FINISHES .....	PG: 19	GUEST MASTER BATH ELEVATIONS .....	PG: 40
WET BAR PLUMBING & APPLIANCES .....	PG: 20	BEDROOM #3 FINISHES .....	PG: 41
WET BAR ELEVATION .....	PG: 21	BATH #3 FINISHES .....	PG: 42
POWDER BATH FINISHES .....	PG: 22	BATH #3 PLUMBING & ACCESSORIES .....	PG: 43
POWDER BATH PLUMBING & ACCS. ....	PG: 23	BATH #3 ACCESSORIES .....	PG: 44
POWDER BATH ACCESSORIES .....	PG: 24	BATH #3 ELEVATIONS .....	PG: 45
POWDER BATH ELEVATIONS .....	PG: 25		
LAUNDRY CLOSET FINISHES .....	PG: 26		
LAUNDRY CLOSET APPLIANCES & ELEVATION .....	PG: 27		

# FLOOR PLAN



FLOOR PLAN  
3/32" = 1'-0"

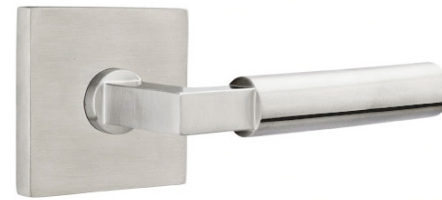
# DOOR + WINDOW FINISHES

## INTERIOR DOORS



3 - PANEL

## INTERIOR HARDWARE



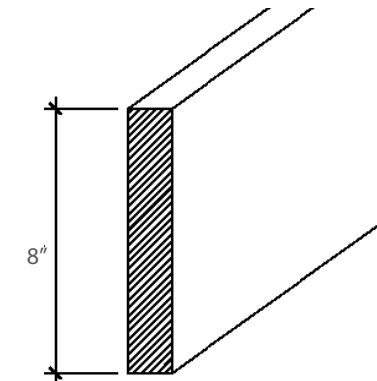
EMTEK  
Hercules Lever w/ Deadbolt  
Back Plate: Rectangular Rosette  
Finish: Satin Nickel

## INTERIOR DOOR FINISH



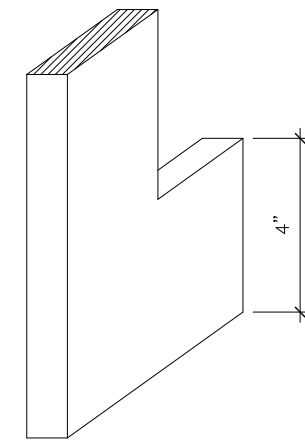
**RIFT CUT WHITE OAK**  
Echo Finish

## BASE DETAILS



BASE: 8"

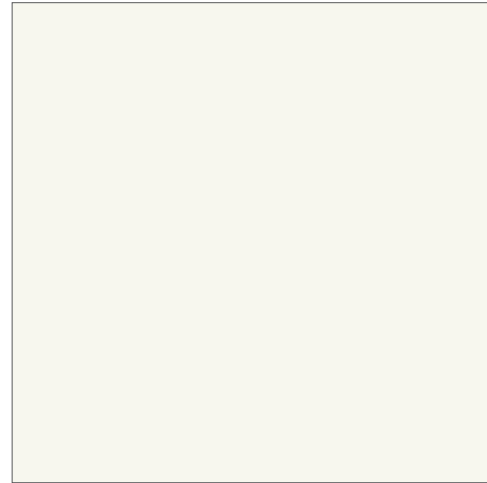
## CASE DETAILS



CASE: 4"

# FINISHES THROUGHOUT

## PAINT



### **BENJAMIN MOORE**

Color: Simply White  
Wall Finish: Eggshell  
Base/ Case Finish: Semi-Gloss  
Ceiling Finish: Flat

## CABINET FINISH



### **RIFT CUT WHITE OAK**

Horizontal Grain  
Color: Empire Light

## HARDWOOD FLOOR-



### **HERMITAGE COLLECTION**

Cristal  
9" x 5/8" x 7'

## CARPET



### **UNIQUE CARPETS**

Style: Softer than Usual  
Color: Alpaca

## BATHROOM MIRROR



### **MIRROR**

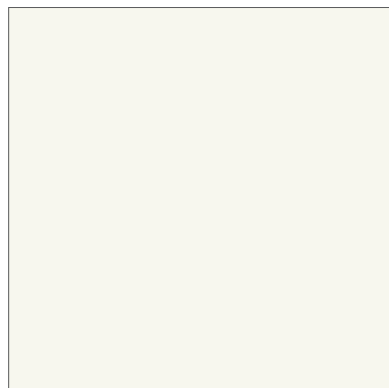
# ENTRY FINISHES

## CEILING FINISH



**BENJAMIN MOORE**  
Color: Simply White  
Finish: Flat  
Coffered Ceiling with Exposed Beams  
in raw finish

## WALL FINISH



**BENJAMIN MOORE**  
Color: Simply White  
Finish: Eggshell

## HARDWOOD FLOORING



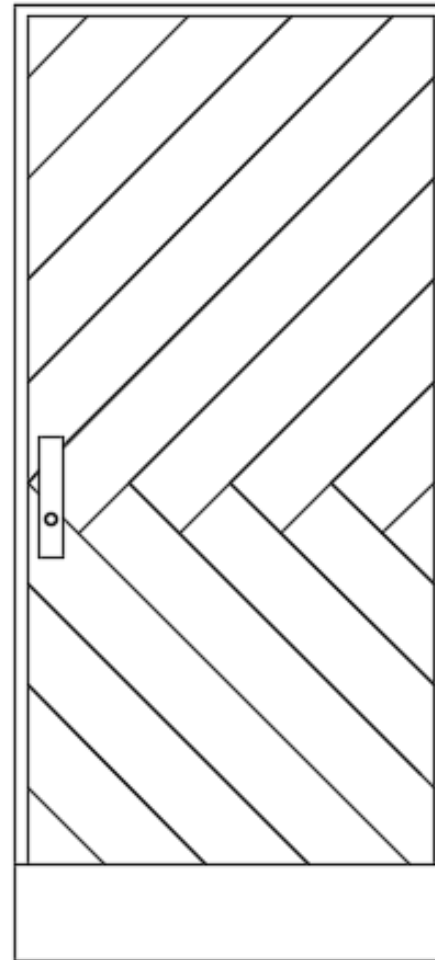
**HERMITAGE COLLECTION**  
Cristal  
9" x 5/8" x 7'

## FLOOR ACCENT TILE



**BEDROSIANS**  
Lydia white Mosaic

## DOOR



**DOOR PROFILE**

## ENTRY DOOR FINISH



**RIFT CUT WHITE OAK**  
Echo Finish

## ENTRY DOOR HARDWARE



**ROCKY MOUNTAIN HARDWARE**  
Edge Passage Set  
Finish: Silicon Bronze Brushed

## LIGHTING



Gaines  
Finish: Historic Nickel  
Size: 16"x16"  
Item: #2206-HN

## ROBE HOOK



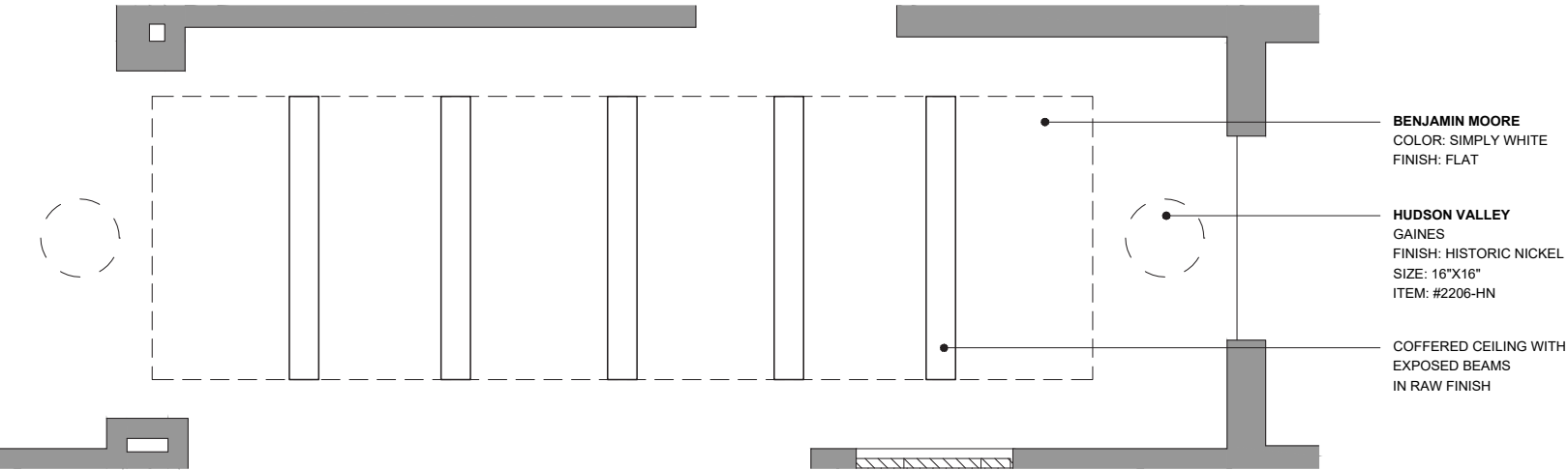
**WATERWORKS STUDIO**  
Ludlow  
Finish: Polished Nickel

# ENTRY CEILING

## INSPIRATION



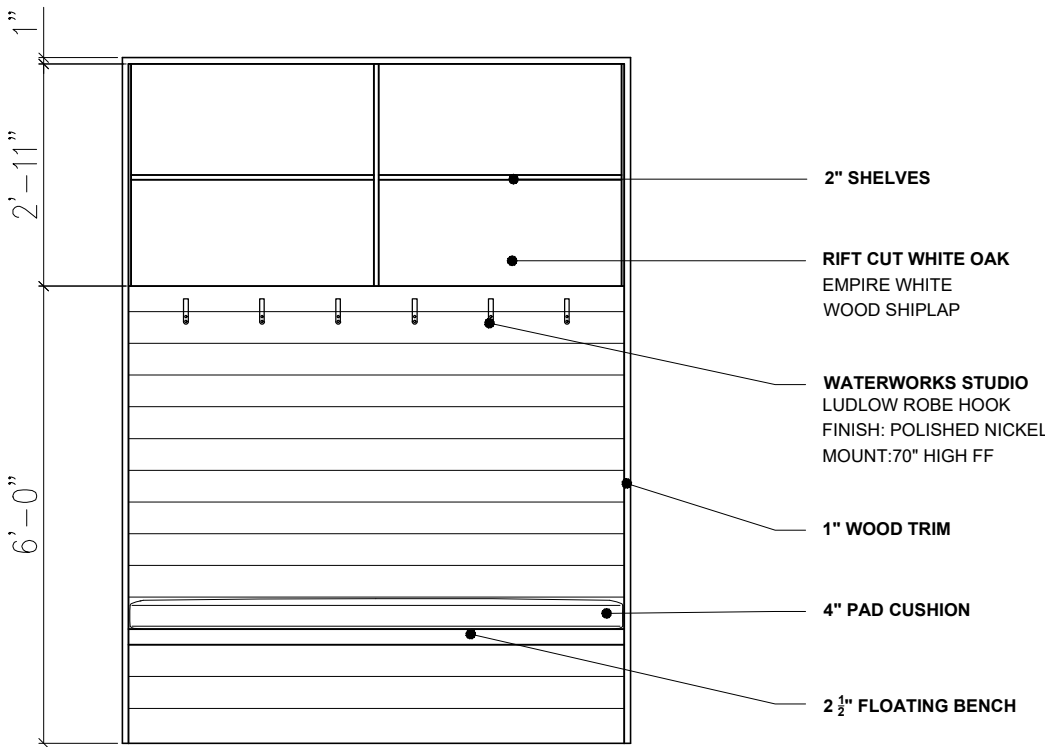
## REFLECTED CEILING PLAN



ENTRY REFLECTED CEILING PLAN

3/8" = 1'-0"

ENTRY CEILING

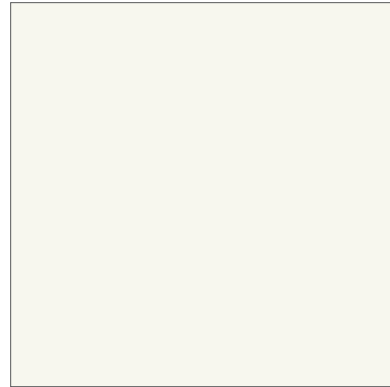


**1** ENTRY BENCH ELEVATION  
 3/8" = 1'-0"



# GREAT ROOM FINISHES

## WALL FINISH



**BENJAMIN MOORE**  
Color: Simply White  
Finish: Eggshell

## HARDWOOD FLOORING



**HERMITAGE COLLECTION**  
Cristal  
9" x 5/8" x 7'

## CABINETRY STYLE



**PANEL STYLE**  
Slab Front

## CABINET FINISH



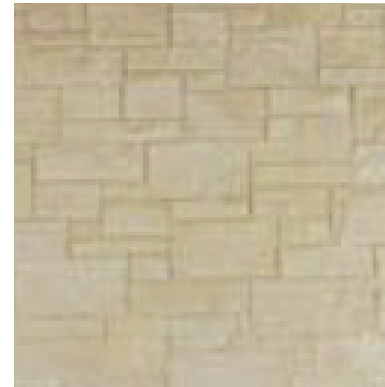
**RIFT CUT WHITE OAK**  
Horizontal Grain  
Color: Empire Light

## FIREPLACE SURROUND



**ARIZONA TILE**  
Calacatta Umber

## STONE WALL



**WEATHERED WALL**

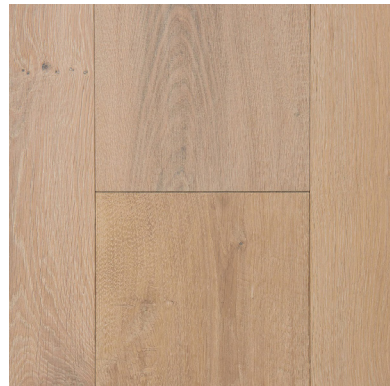
## FIREPLACE INSERT



**FLARE FIREPLACE**  
Flare LC-60-H

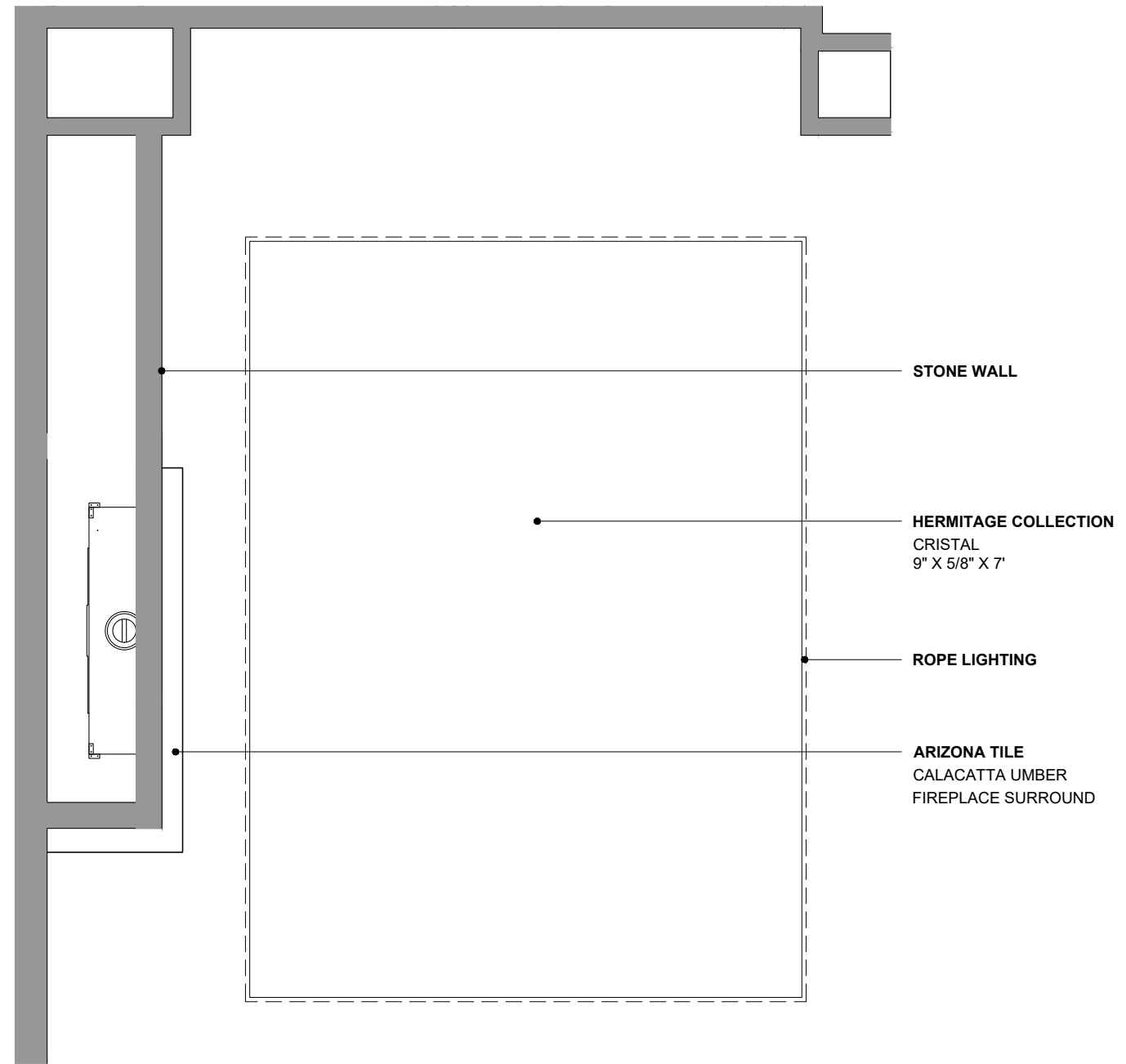
# GREAT ROOM FINISHES

## CEILING FINISH



**HERMITAGE COLLECTION**  
Cristal  
9" x 5/8" x 7'

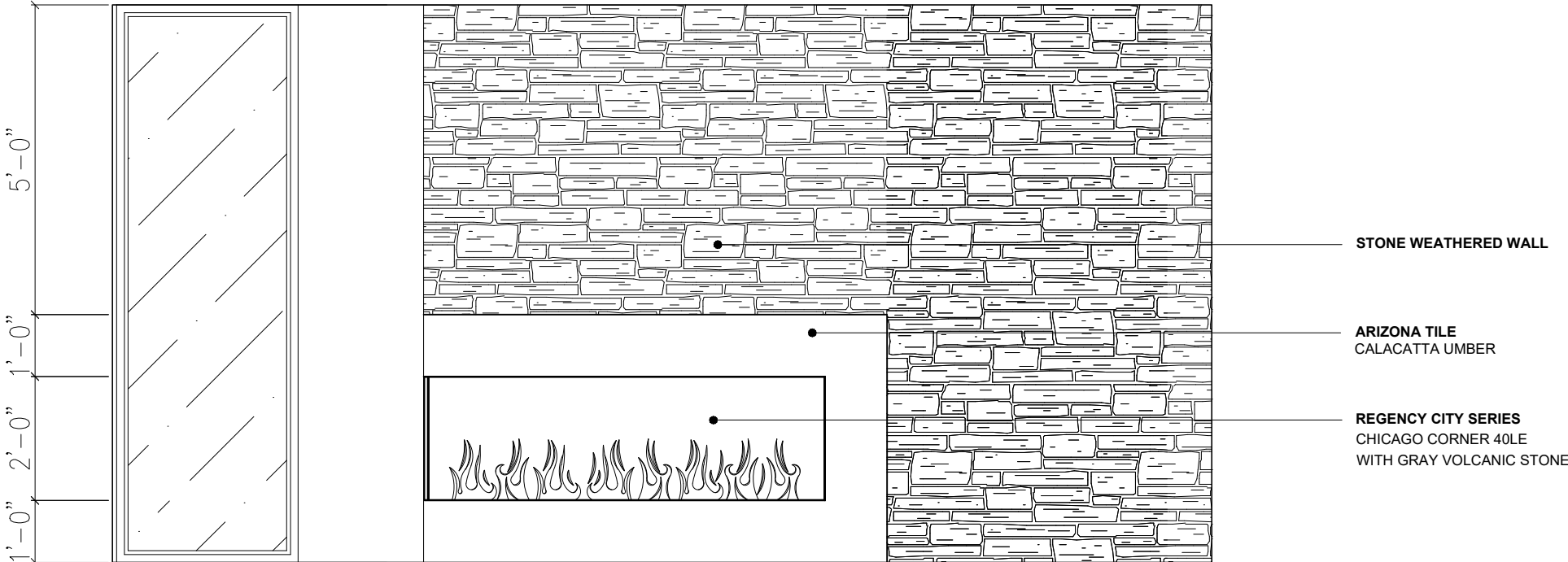
## REFLECTED CEILING PLAN



**GREAT ROOM REFLECTED CEILING PLAN**

3/8" = 1'-0"

# FIREPLACE ELEVATION



**1** FIREPLACE ELEVATION  
3/8" = 1'-0"

# KITCHEN FINISHES

## WALL FINISH



**BENJAMIN MOORE**  
Color: Simply White  
Finish: Eggshell

## HARDWOOD FLOORING



**HERMITAGE COLECTION**  
Cristal  
9" x 5/8" x 7'

## CABINETRY STYLE



**PANEL STYLE**  
Slab Front

## CABINET FINISH



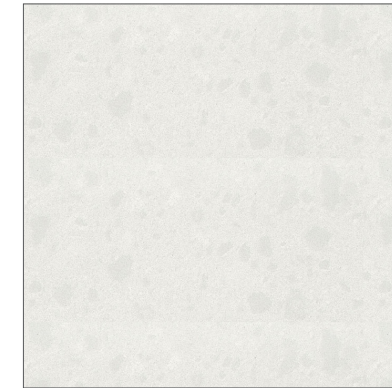
**RIFT CUT WHITE OAK**  
Horizontal Grain  
Color: Empire Light

## HARDWARE



**TOP KNOBS**  
Lydia 9" Pull  
Finish: Flat Black

## COUNTERTOP



**CAESARSTONE**  
Organic White  
Perimeter Counter: 3" Euro Edge  
Island Counter: 4" Euro Edge

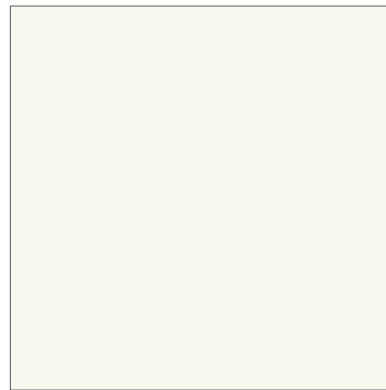
## BACKSPLASH



**ARIZONA TILE**  
Calacatta Umber

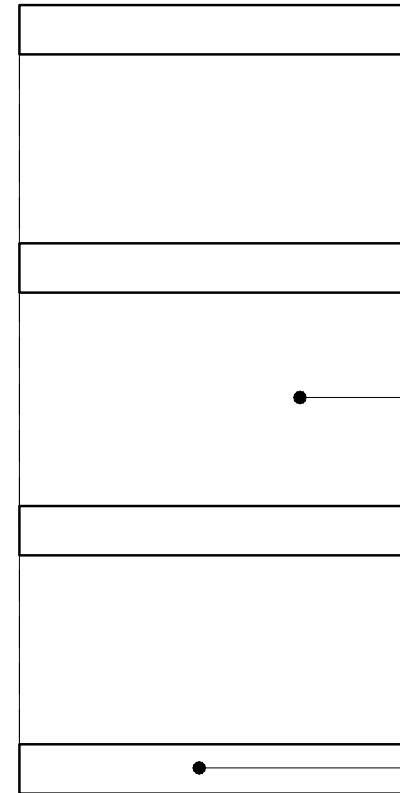
# KITCHEN FINISHES

## CEILING FINISH



**BENJAMIN MOORE**  
Color: Simply White  
Finish: Flat  
Coffered Ceiling with Exposed Beams  
in raw finish

## REFLECTED CEILING PLAN



**BENJAMIN MOORE**  
COLOR: SIMPLY WHITE  
FINISH: FLAT

COFFERED CEILING WITH  
EXPOSED BEAMS  
IN RAW FINISH

## KITCHEN REFLECTED CEILING PLAN

3/8" = 1'-0"

# KITCHEN PLUMBING AND APPLIANCES

## FAUCET



**BRIZO**  
Litze  
Pull-Down Faucet with Square Spout & Knurled Handle  
Finish: Luxe Gold  
Item: #63053LF-GL

## KITCHEN SINK



**KOHLER - Strive**  
Undermount extra large single bowl kitchen sink with rack  
Dimensions: 35" x 18-5/16" x 9-5/16"  
Finish: Stainless Steel  
Item: #K-5283-NA

## RANGE HOOD



**WOLF**  
Pro Hood 48" Liners  
Finish: Stainless Steel  
Item: #WPL461912

## CUSTOM METAL HOOD FINISH



**PATINA BRONZE**

## RANGE



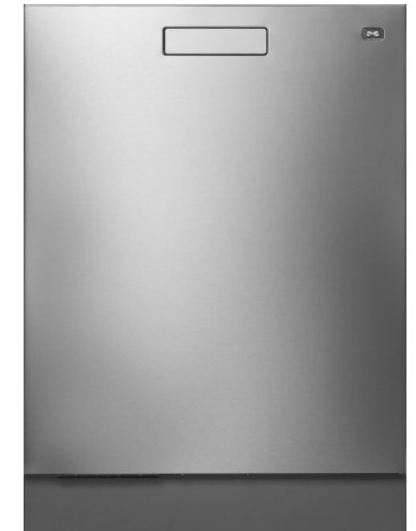
**WOLF**  
48" Gas Range  
6 Burners and Infrared Griddle  
Finish: Stainless  
Item#: GR486G

## FRIDGE & FREEZER



**SUB-ZERO**  
French Door Built-In Refrig w/ Professional Handle  
Finish: Stainless Steel  
Item#: SBI36UFDSPH

## DISHWASHER



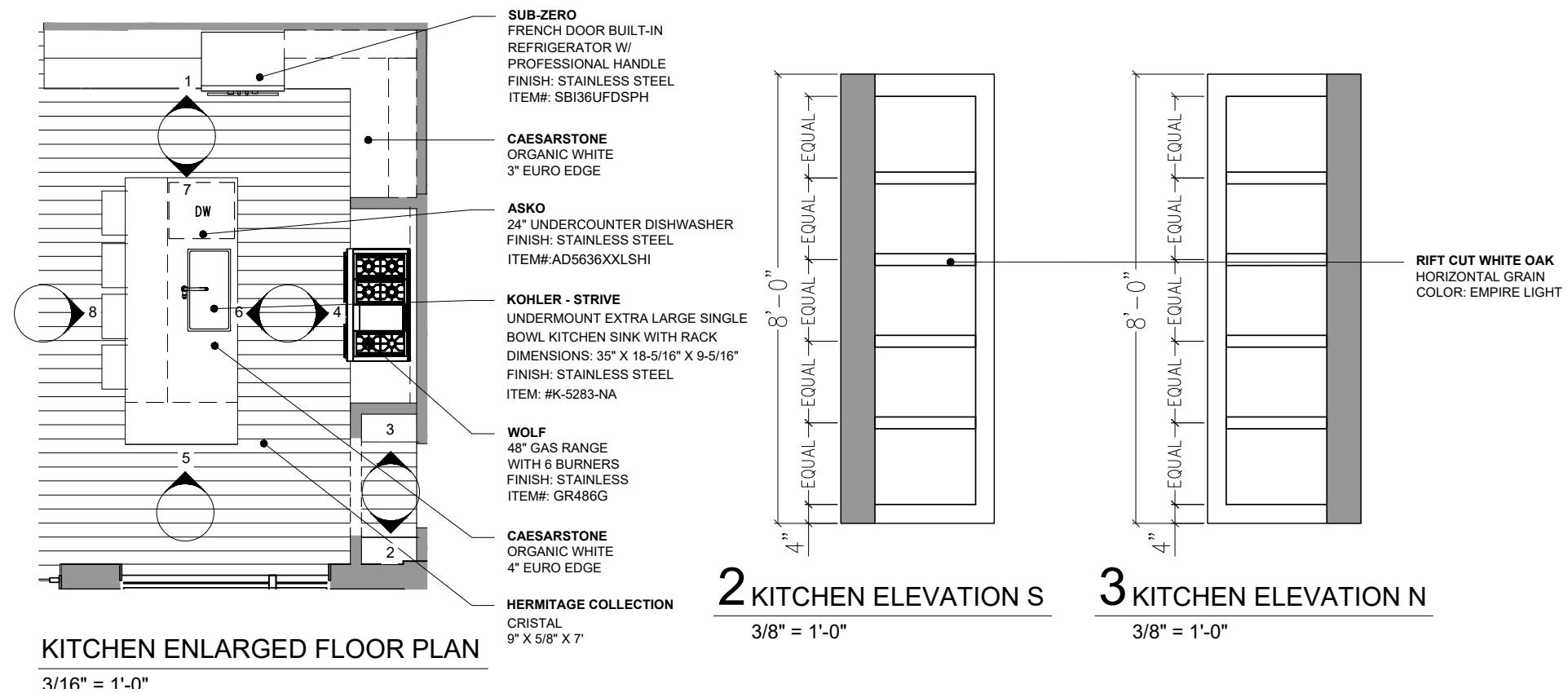
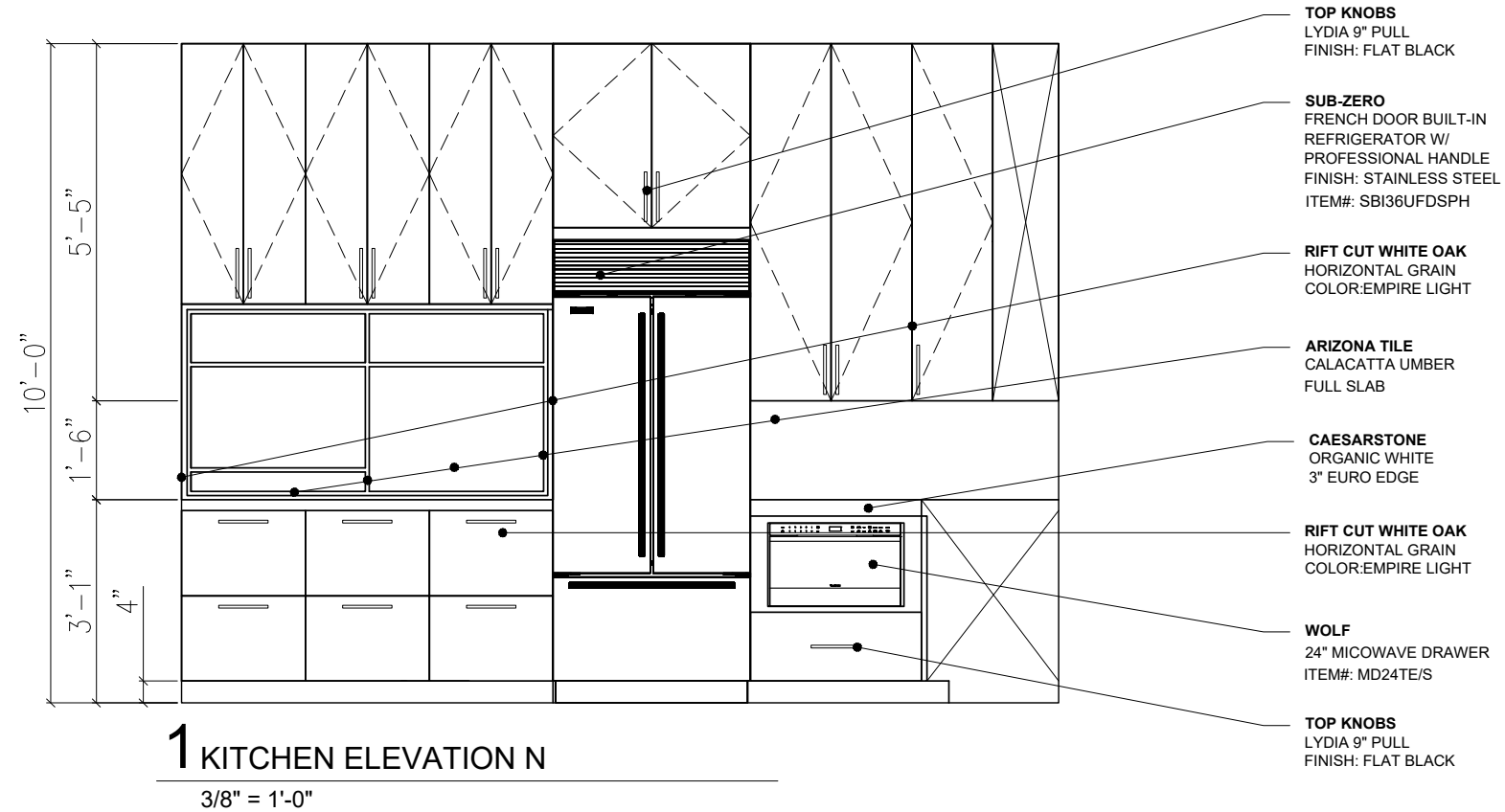
**ASKO**  
24" Dishwasher  
Finish: Stainless Steel  
Item#:AD5636XXLSHI

## MICROWAVE OVEN



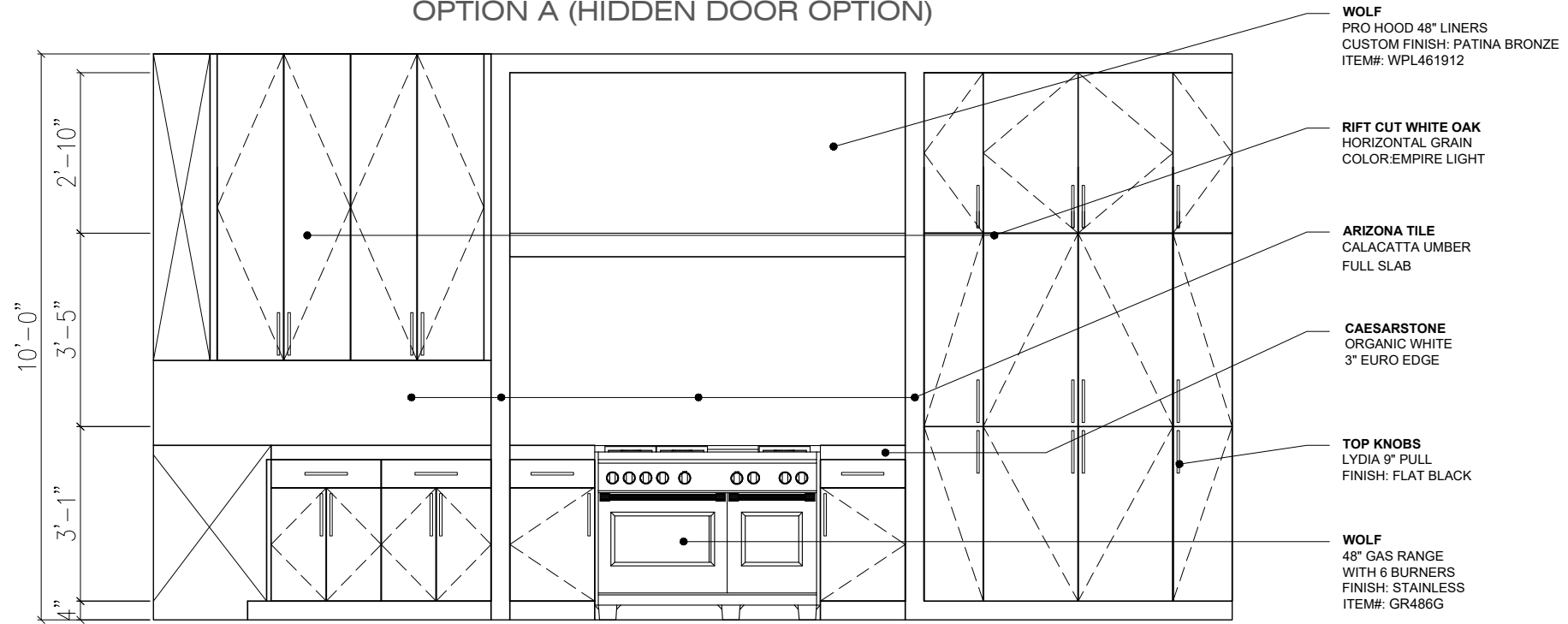
**WOLF**  
24" Microwave Drawer  
Item#: MD24TE/S

# KITCHEN ELEVATIONS



# KITCHEN ELEVATIONS

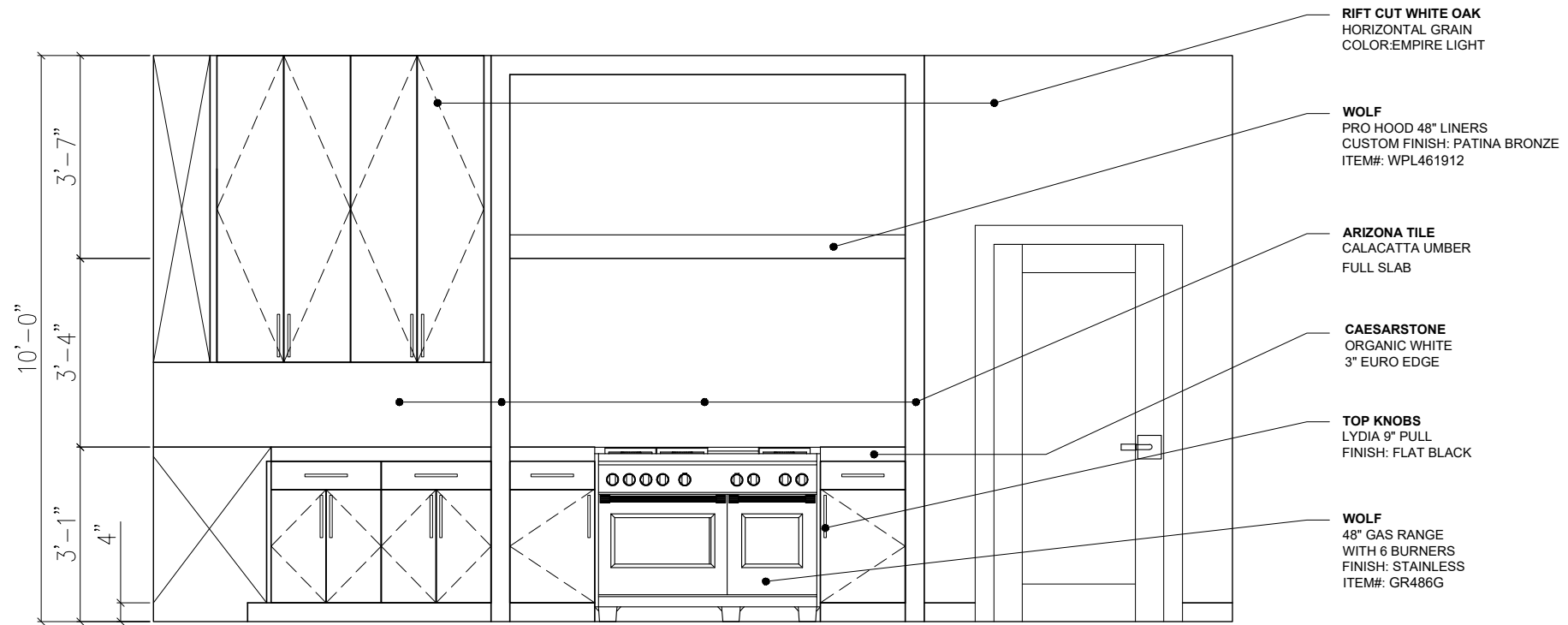
OPTION A (HIDDEN DOOR OPTION)



**4** KITCHEN ELEVATION E

3/8" = 1'-0"

OPTION B

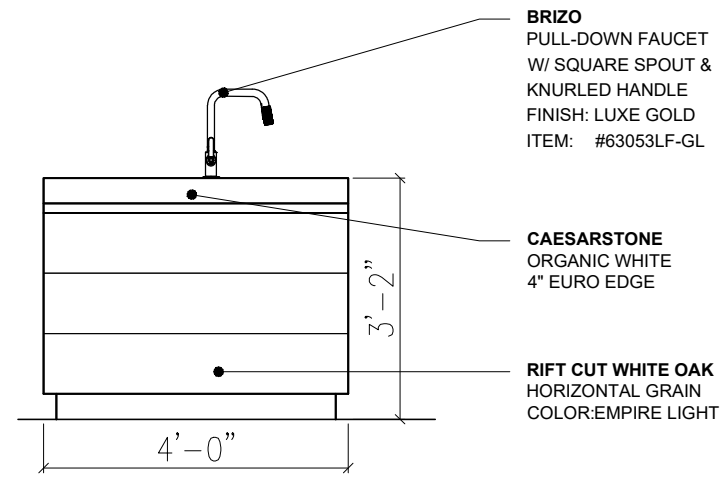


**4** KITCHEN ELEVATION E

3/8" = 1'-0"

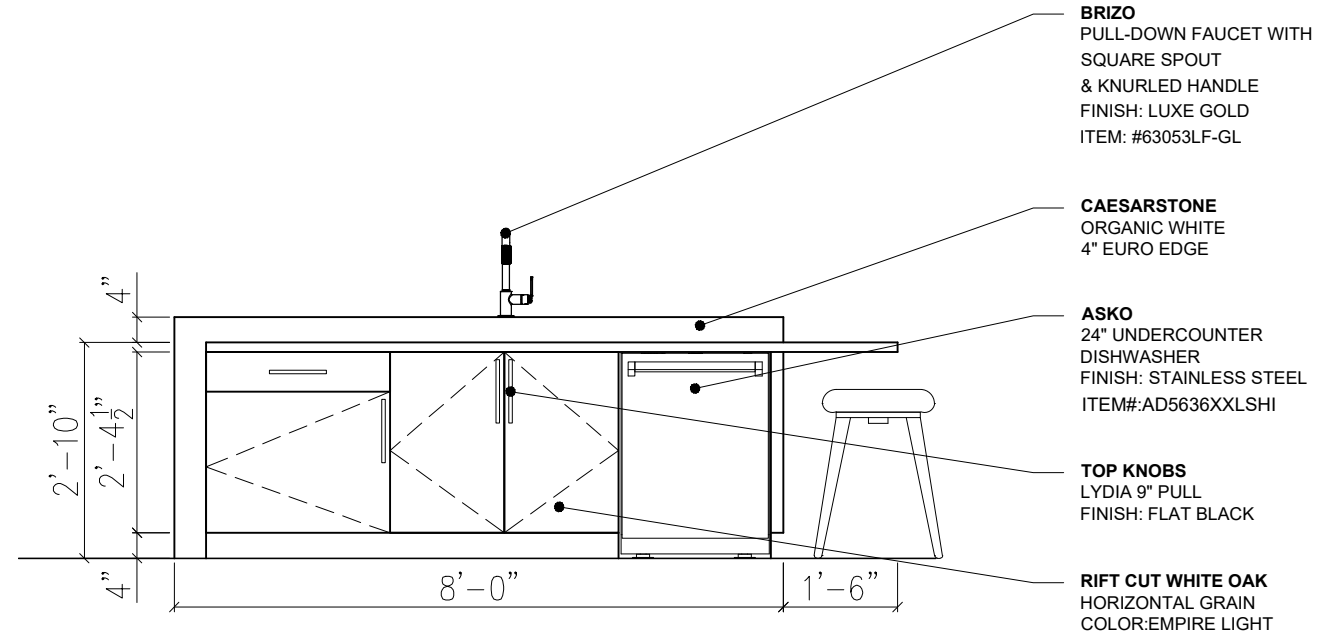


# KITCHEN ELEVATIONS



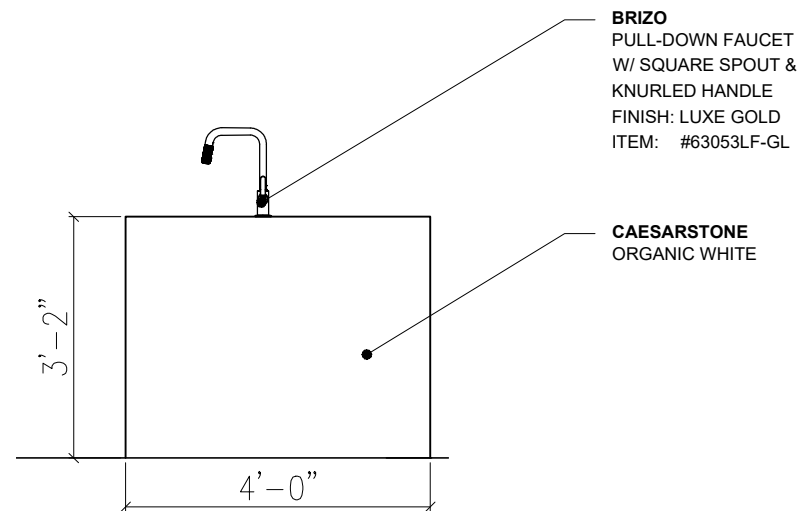
**5** KITCHEN ELEVATION N

3/8" = 1'-0"



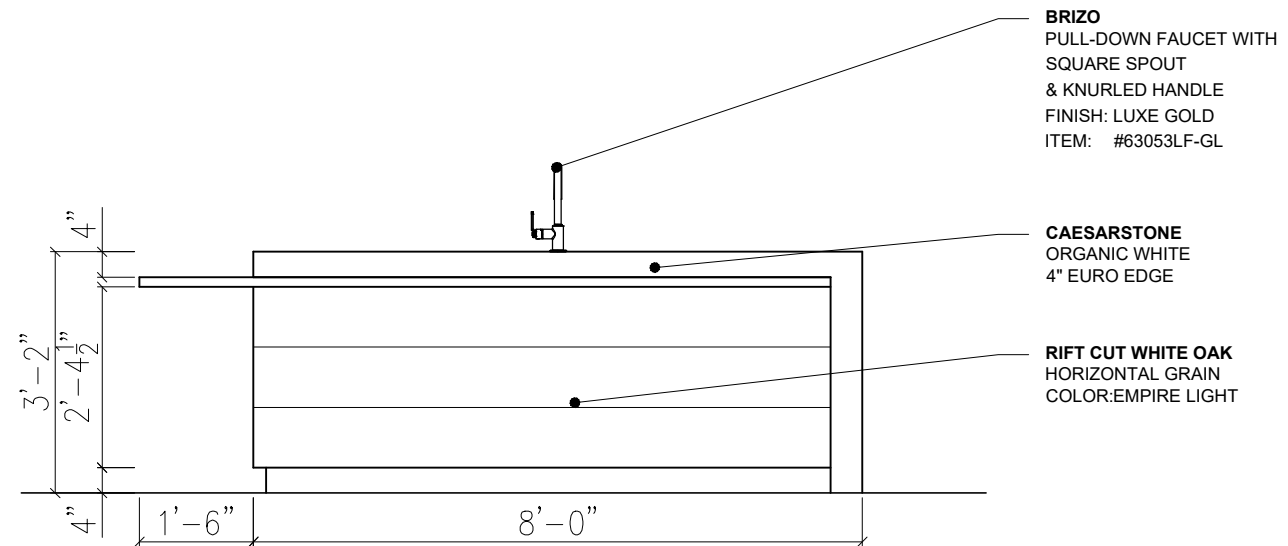
**6** KITCHEN ELEVATION W

3/8" = 1'-0"



**7** KITCHEN ELEVATION S

3/8" = 1'-0"



**8** KITCHEN ELEVATION E

3/8" = 1'-0"

# DINING ROOM FINISHES

## WALL FINISH



**BENJAMIN MOORE**  
Color: Simply White  
Finish: Eggshell

## HARDWOOD FLOORING



**HERMITAGE COLLECTION**  
Cristal  
9" x 5/8" x 7'

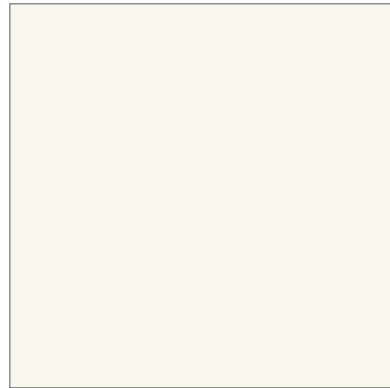
## LIGHTING



**RESTORATION HARDWARE**  
Cannele Linear Chandelier 54"  
Finish: Bronze

# WET BAR FINISHES

## WALL FINISH



**BENJAMIN MOORE**  
Color: Simply White  
Finish: Eggshell

## CABINETSRY STYLE



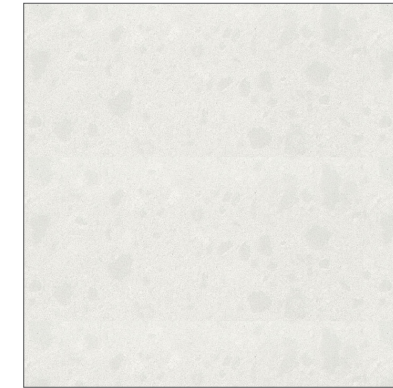
**PANEL STYLE**  
Slab Front

## HARDWARE



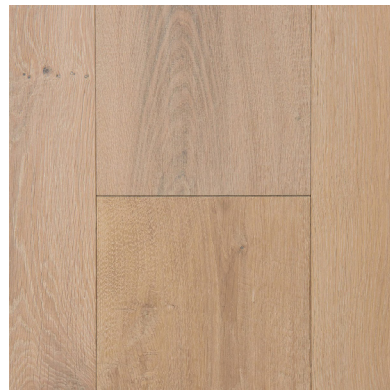
**TOP KNOBS**  
Lydia 9" Pull  
Finish: Flat Black

## COUNTERTOP



**CAESARSTONE**  
Organic White  
3" Mitered Edge

## HARDWOOD FLOORING



**HERMITAGE COLLECTION**  
Cristal  
9" x 5/8" x 7'

## CABINET FINISH



**RIFT CUT WHITE OAK**  
Horizontal Grain  
Color: Empire Light

## BACKSPLASH



**ARIZONA TILE**  
Calacatta Umber

# WET BAR PLUMBING AND APPLIANCES

## FAUCET



**BRIZO**  
Litze  
Bar Faucet with Square Spout and Knurled Handle  
Finish: Luxe Gold  
Item: #61053LF-GL

## BAR SINK



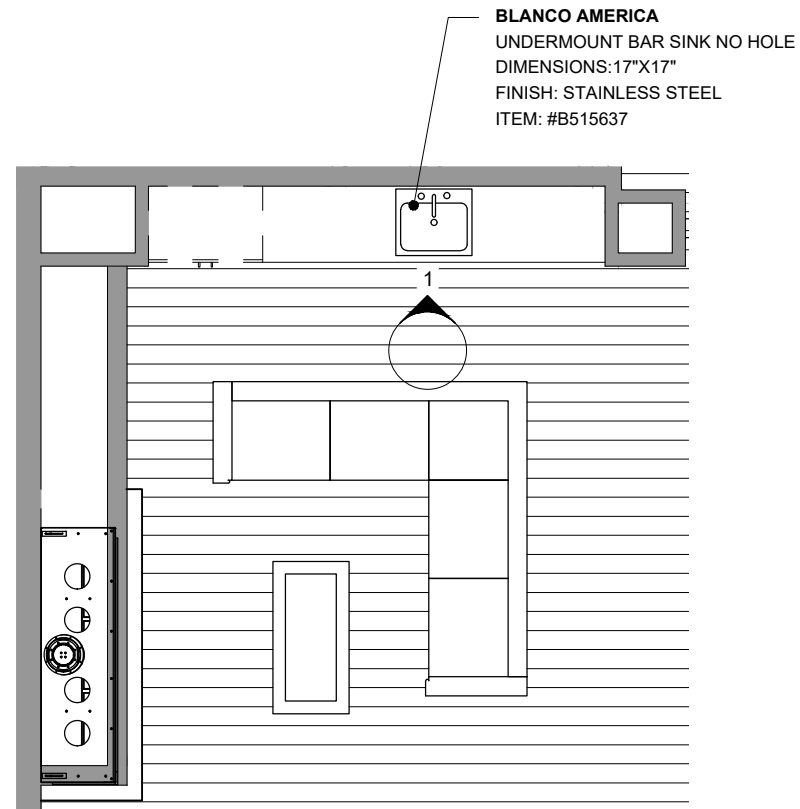
**BLANCO AMERICA**  
Undermount Bar Sink No Hole  
Dimensions: 17"x17"  
Finish: Stainless Steel  
Item: #B515637

## WINE COOLER



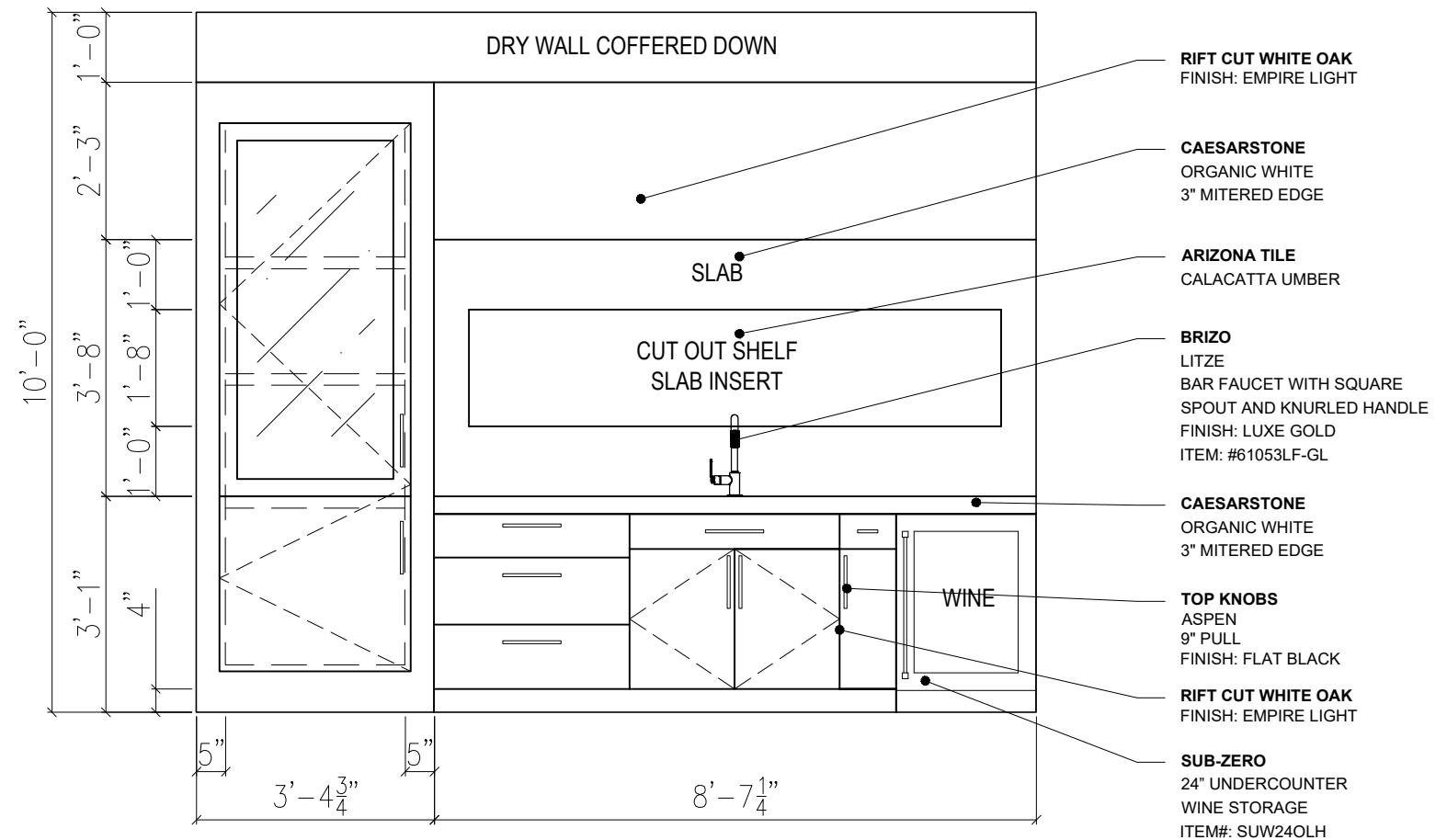
**SUB-ZERO**  
24" Undercounter Wine Storage  
Panel Ready  
Item#: SUW24OLH

# WET BAR ELEVATION



WET BAR ENLARGED FLOOR PLAN

3/16" = 1'-0"



1 WET BAR ELEVATION N

3/8" = 1'-0"

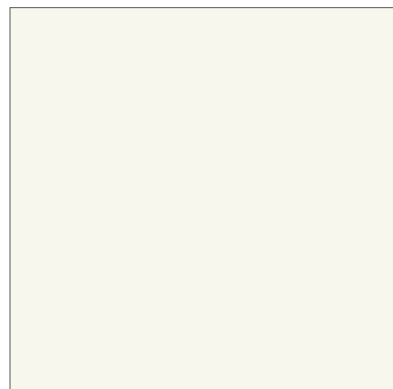
# POWDER BATH FINISHES

## FLOORING



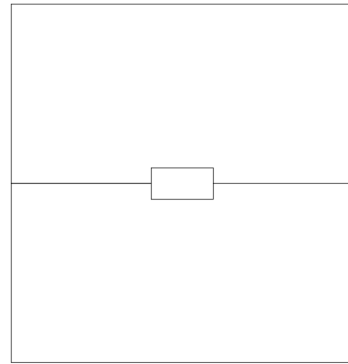
**DALTILE**  
Fusion Gris Large Chevron  
Color: DA16

## WALL FINISH



**BENJAMIN MOORE**  
Color: Simply White  
Finish: Eggshell

## CABINETRY STYLE



**PANEL STYLE**  
Flat Panel with Notched Out Drawers

## CABINET FINISH



**RIFT CUT WHITE OAK**  
Horizontal Grain  
Color: Empire Light

## HARDWARE



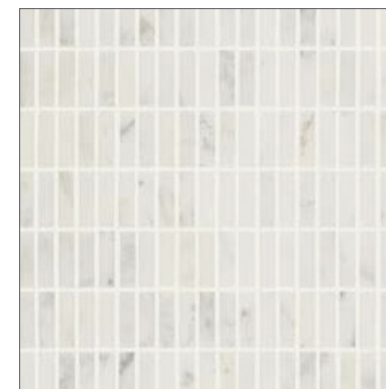
**TOP KNOBS**  
Aspen 9" Flat Sided Pull  
Finish: Light Bronze

## COUNTERTOP



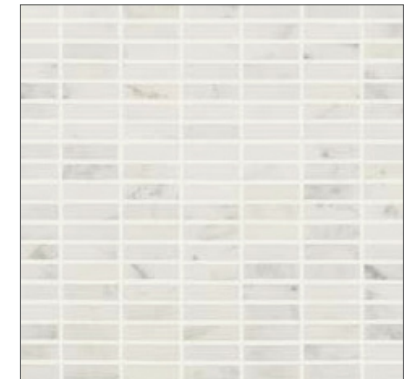
**PENTAL QUARTZ**  
Statuario Polished  
2" Mitered Edge

## VANITY WALL



**CROSSVILLE**  
Yin Yang  
Snow Flower - YY03  
Pattern: Straight Set, Vertical Stacked  
Size: 1-1/2" x 6-1/2"

## SHOWER FLOOR



**CROSSVILLE**  
Yin Yang  
Snow Flower - YY03  
Size: 1-1/2" x 3-1/4"  
Pattern: Straight Set

## SHOWER WALL



**CROSSVILLE**  
Yin Yang  
Snow Flower - YY03  
Pattern: Pattern: Straight Set, Vertical Stacked  
Size: 1-1/2" x 6-1/2"

# POWDER BATH PLUMBING AND ACCESSORIES

## FAUCET



**WATERWORKS STUDIO**  
Ludlow  
Low Profile Three Hole Deck Mounted Lavatory Faucet  
with Metal Lever Handles  
Finish: Polished Nickel

## SINK



**WATERWORKS STUDIO**  
Clara  
Undermount Rectangular Vitreous China Lavatory Sink  
Color: White  
Dimension: 20 1/16" x 14 1/8" x 8"

## SHOWER HEAD



**WATERWORKS STUDIO**  
Ludlow Shower Head  
Finish: Polished Nickel

## SHOWER CONTROL



**WATERWORKS STUDIO**  
Ludlow Shower Control Trim  
Finish: Polished Nickel

## TOILET



**DXV**  
Lyndon Collection  
Two-Piece Elongated Dual Flush Toilet  
Color: White

## LIGHTING



**VISUAL COMFORT**  
Thomas OBrien Katie  
Finish: Polished Nickel  
Item#: TOB2225PN/G6-CG

# POWDER BATH ACCESSORIES

TOWEL RING



**WATERWORKS STUDIO**  
Ludlow  
Finish: Polished Nickel

TOILET PAPER HOLDER



**WATERWORKS STUDIO**  
Ludlow  
Finish: Polished Nickel

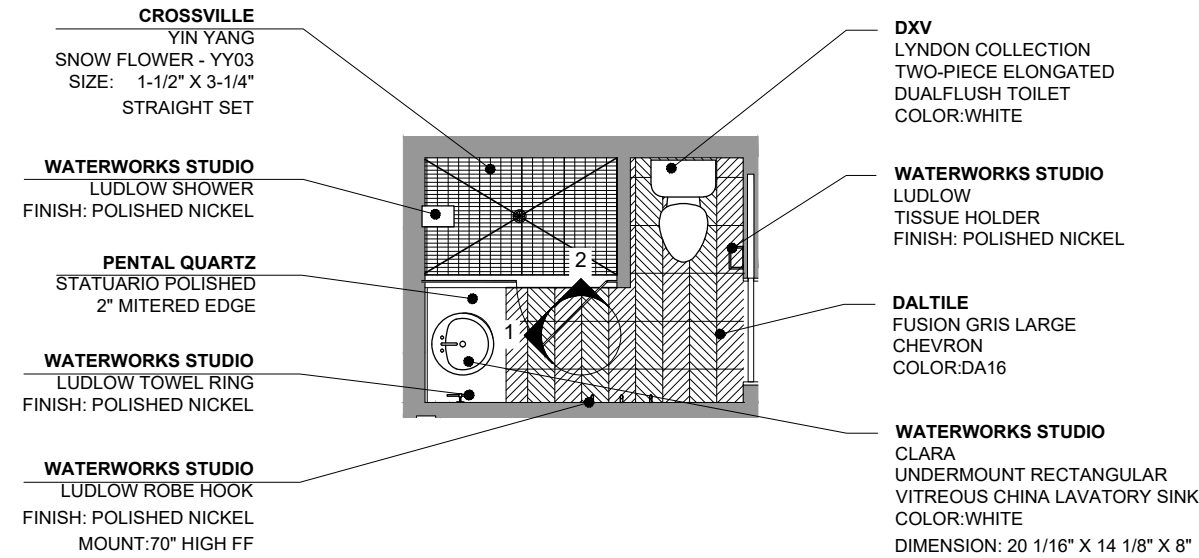
ROBE HOOK



**WATERWORKS STUDIO**  
Ludlow  
Finish: Polished Nickel  
Quantity: 3

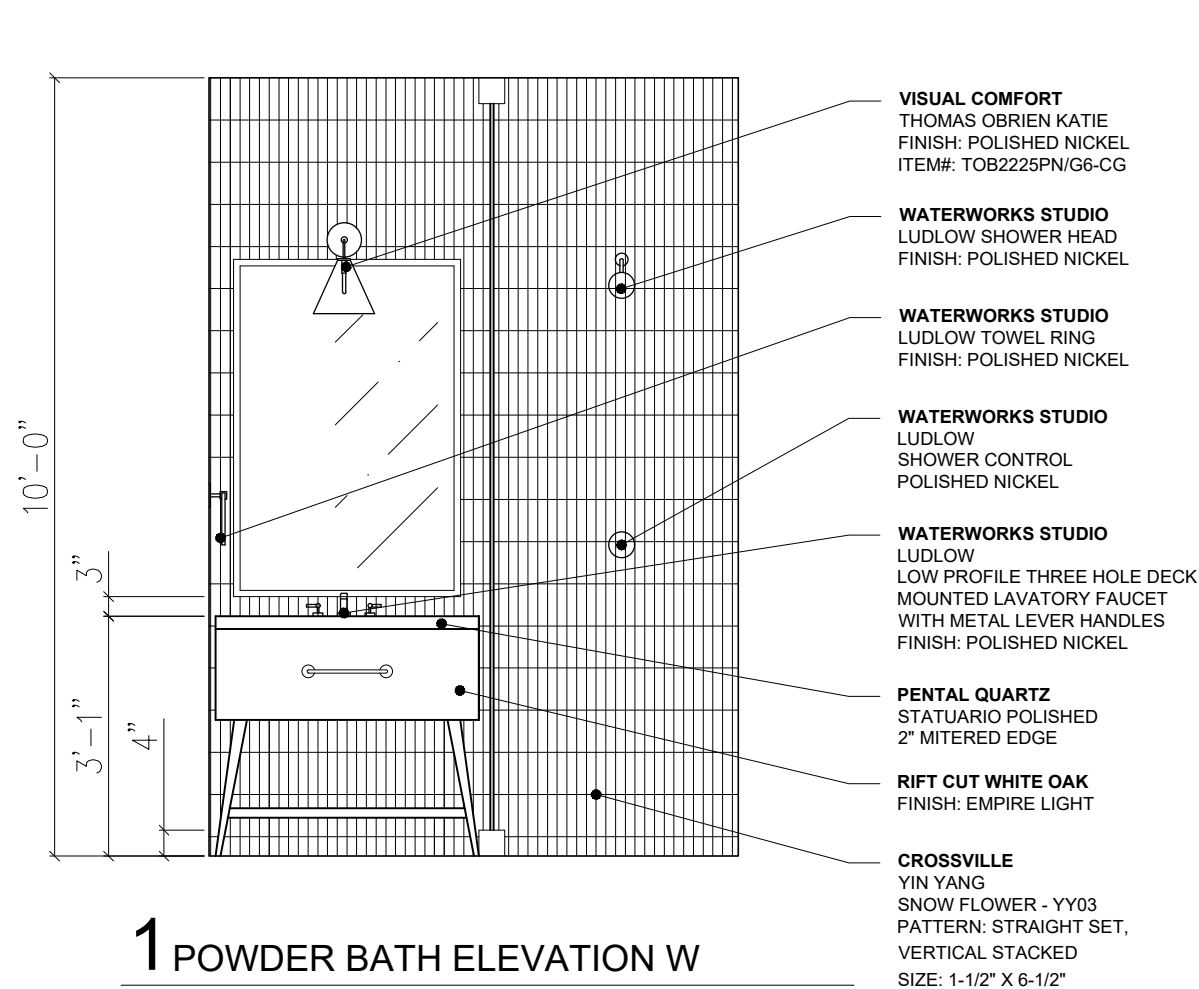


# POWDER BATH ELEVATIONS



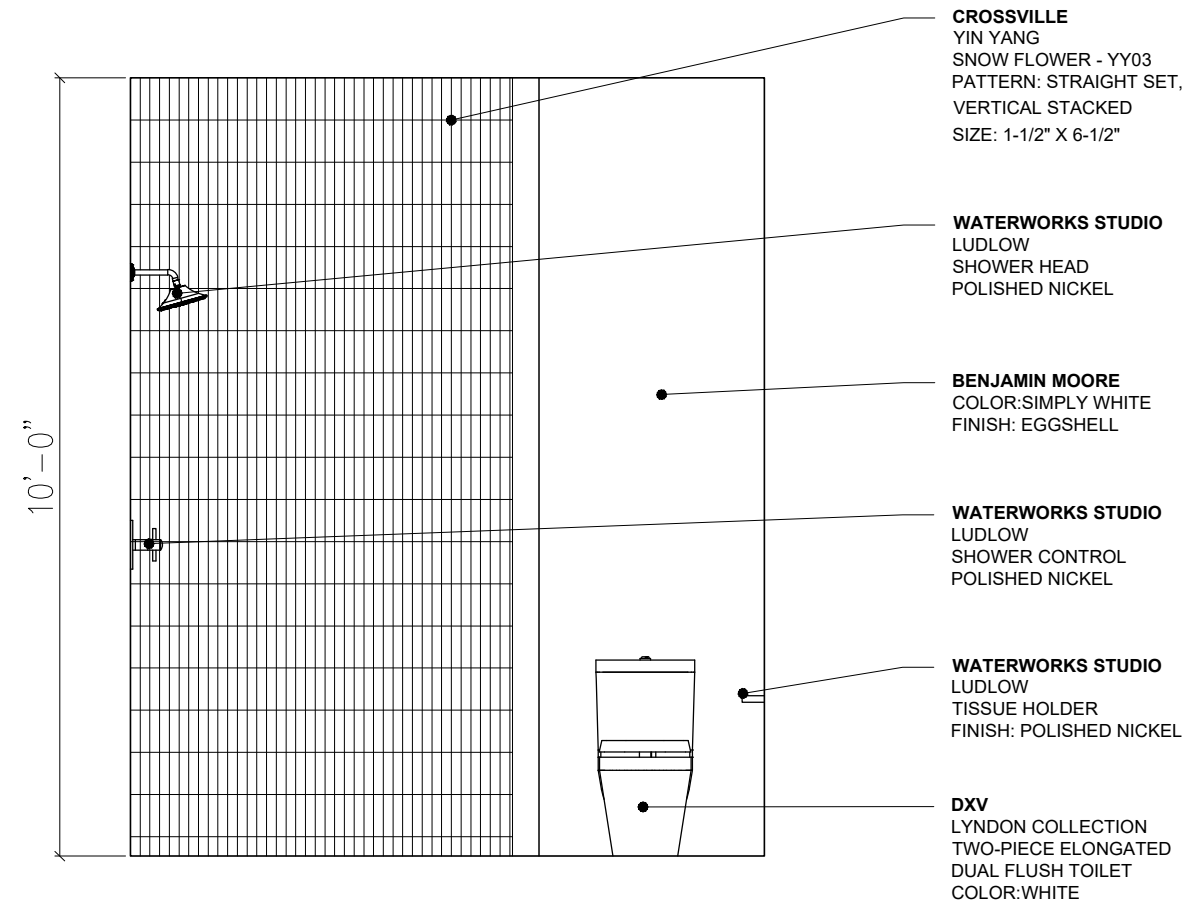
**POWDER BATH ENLARGED FLOOR PLAN**

3/16" = 1'-0"



**1 POWDER BATH ELEVATION W**

3/8" = 1'-0"



**2 POWDER BATH ELEVATION N**

3/8" = 1'-0"

# LAUNDRY CLOSET FINISHES

## WALL FINISH



**BENJAMIN MOORE**  
Color: Simply White  
Finish: Eggshell

## CABINETSRY STYLE



**PANEL STYLE**  
Slab Front

## HARDWARE



**TOP KNOBS**  
Aspen 9" Flat Sided Pull  
Finish: Light Bronze

## BACKSPLASH



**SUBWAY TILE**  
White  
Size: 3" x 6"  
Brick Set

## CABINET FINISH



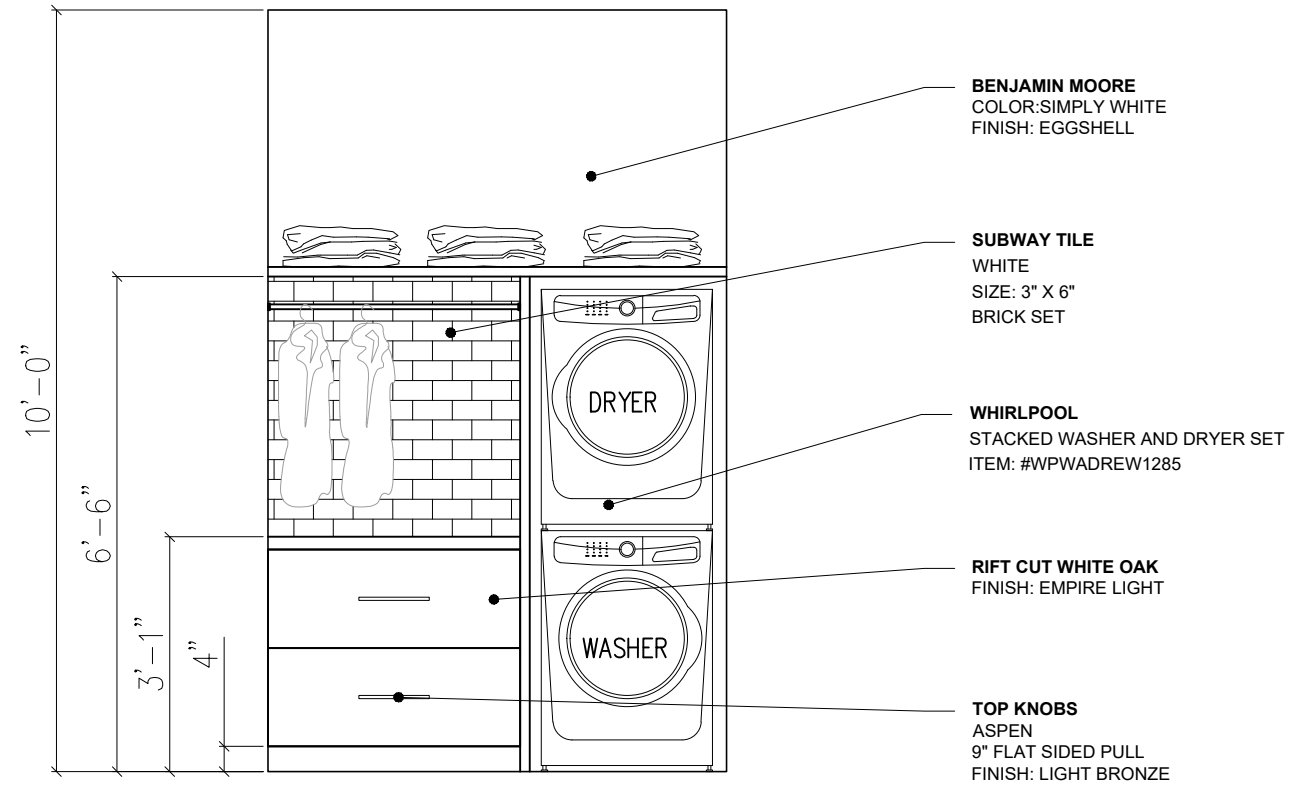
**RIFT CUT WHITE OAK**  
Horizontal Grain  
Color: Empire Light

# LAUNDRY CLOSET APPLIANCES & ELEVATION

## WASHER & DRYER



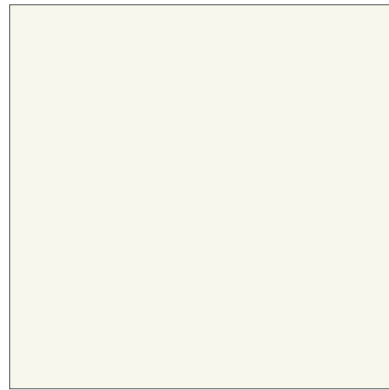
**WHIRLPOOL**  
Stacked Washer and Dryer Set  
Item:# WPWADREW1285



**1 LAUNDRY CLOSET ELEVATION**  
3/8" = 1'-0"

# MASTER BEDROOM FINISHES

## WALL FINISH



**BENJAMIN MOORE**  
Color: Simply White  
Finish: Eggshell

## CARPET



**UNIQUE CARPETS**  
Style: Softer than Usual  
Color: Alpaca

## DOOR FINISH



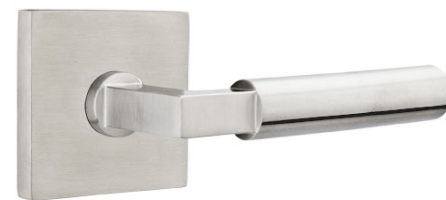
**RIFT CUT WHITE OAK**  
Echo Finish

## DOOR



**3-PANEL**

## DOOR HARDWARE



**EMTEK**  
Hercules Lever w/ Deadbolt  
Back Plate: Rectangular Rosette  
Finish: Satin Nickel

## FIREPLACE SURROUND



**ARIZONA TILE**  
Calacatta Umber

## FIREPLACE HEARTH ACCENT



**RIFT CUT WHITE OAK**  
Horizontal Grain  
Color: Empire Light

## FIREPLACE INSERT



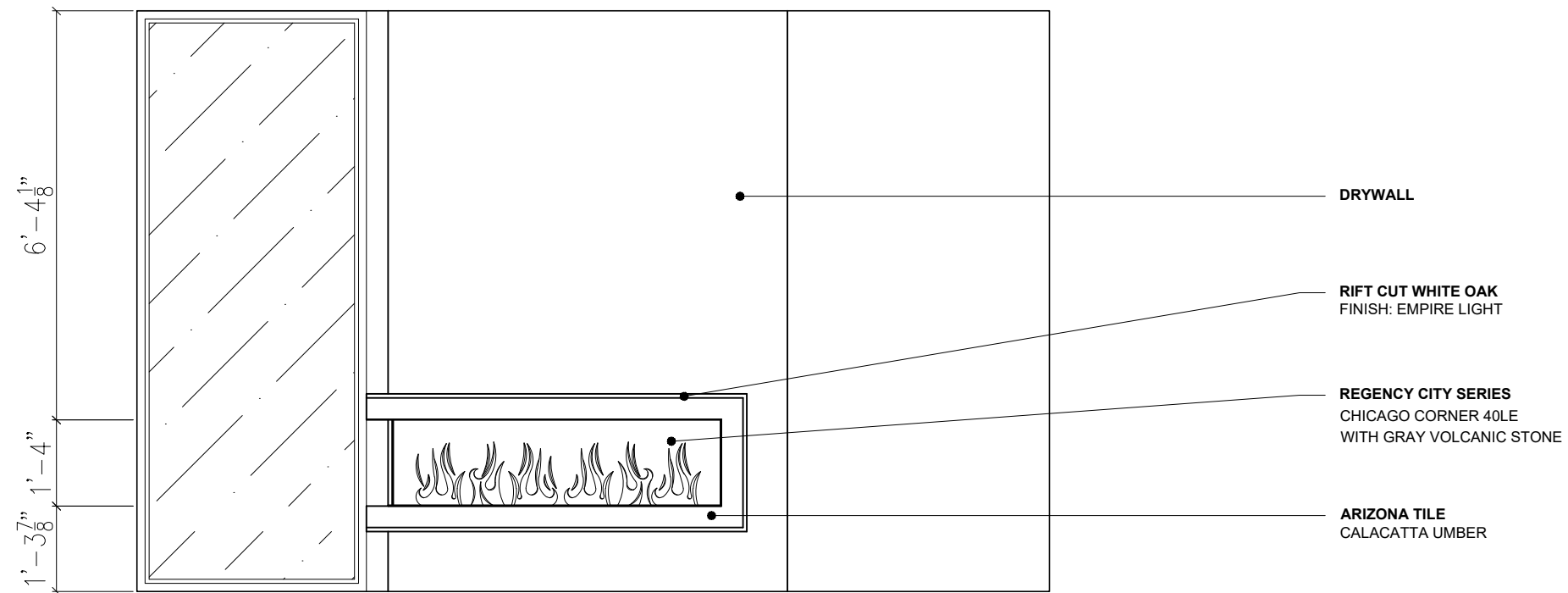
**REGENCY CITY SERIES**  
Chicago Corner 40 LE  
with gray volcanic stones

## LIGHTING



**ARTERIORS**  
Dallas Small Chandelier  
Dimension: H: 21.59cm - 90.17cm W: 121.92cm D: 78.74cm  
Finish: Polished Nickel  
Item#: 89456

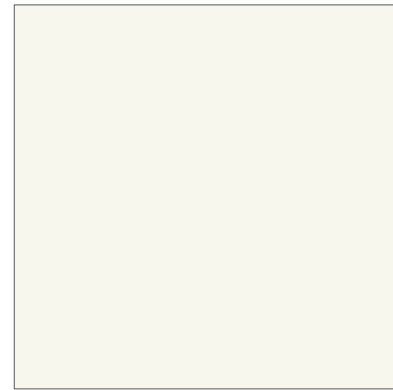
# MASTER BEDROOM FIREPLACE ELEVATION



**1** MASTER BEDROOM FIREPLACE ELEVATION  
3/8" = 1'-0"

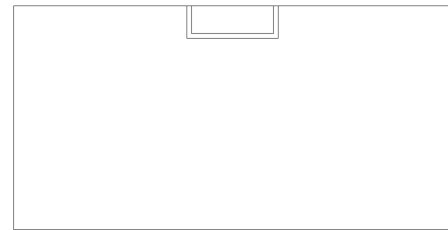
# MASTER BATH FINISHES

## WALL FINISH



**BENJAMIN MOORE**  
Color: Simply White  
Finish: Eggshell

## CABINETSRY STYLE



**PANEL STYLE**  
Solid Drawer Front with notch on top

## COUNTERTOP



**ARIZONA TILE**  
Calacatta Umber  
6" Mitered Edge  
Backsplash: 10"

## SHOWER ACCENT WALL



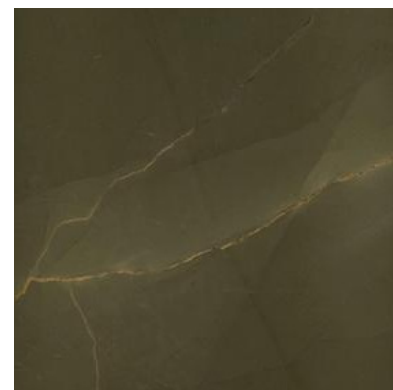
**MARBLE SYSTEMS**  
Magra Lattice Marble Mosaics  
Thassos White, Calacatta Gold Honed  
Size: 11 11/16 x 11 11/16x3/8

## SHOWER FLOOR



**STONE SOURCE**  
Gaudi  
Size: 4" x 4"

## FLOORING



**STONE SOURCE**  
Gaudi  
Size: 12" x 24"

## CABINET FINISH



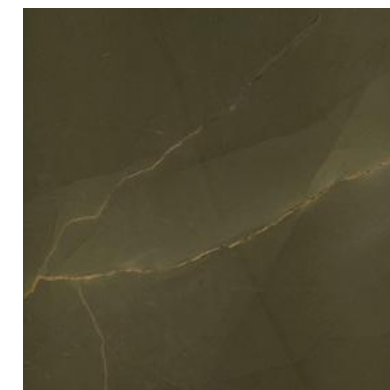
**RIFT CUT WHITE OAK**  
Horizontal Grain  
Color: Empire Light

## BENCH



**ARIZONA TILE**  
Calacatta Umber

## SHOWER SIDE WALLS



**STONE SOURCE**  
Gaudi  
Size: 12" x 24"

## CURB, NICHE, NICHE SURROUND, BENCH



**ARIZONA TILE**  
Calacatta Umber

# MASTER BATH PLUMBING & ACCESSORIES

## FAUCET



**WATERWORKS STUDIO**  
Ludlow  
Low Profile Three Hole Deck Mounted Lavatory Faucet with Metal Lever Handles  
Finish: Polished Nickel

## SINK



**KOHLER**  
Vox Rectangle  
Vessel Bathroom Sink with Widespread Faucet Holes  
Color: White  
Item: # K-2660-8-0

## SHOWER RAIN & WALL MOUNT HEAD



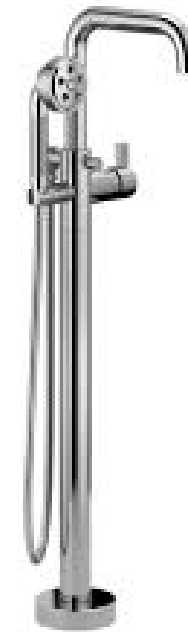
**WATERWORKS STUDIO**  
Ludlow  
Finish: Polished Nickel

## TEMPERATURE CONTROL



**WATERWORKS STUDIO**  
Ludlow Shower Control Trim  
Finish: Polished Nickel

## TUB FILLER



**BRIZO**  
Litze  
Freestanding  
Finish: Polished Nickel  
Item: #T70135-PNLHP

## BATH TUB



**NATIVE TRAILS**  
Avalon 62 Soaking Tub  
Finish: Pearl

## TOILET



**DXV**  
Lyndon Collection  
Two-Piece Elongated Dual Flush Toilet  
Color: White

## MIRROR



**SUTTON CLASSIC**  
Pivot Mirror  
Color: Aged Brass  
Size: 30" x 48"

# MASTER BATH LIGHTING

## BATH SCONCE



**VISUAL COMFORT**  
Covet Tall Box  
Bath Sconce  
Finish: Antique Burnished Brass

## CHANDELIER



**VISUAL COMFORT**  
Thomas OBrien Ziyi 4 Light 24 inch  
Chandelier Ceiling Light  
Finish: Hand-Rubbed Antique Brass  
Item: # TOB5015BZ-NP



# MASTER BATH ACCESSORIES

TOWEL BAR



**WATERWORKS STUDIO**  
Ludlow 12" TOWEL BAR  
Finish: Polished Nickel

TOILET PAPER HOLDER



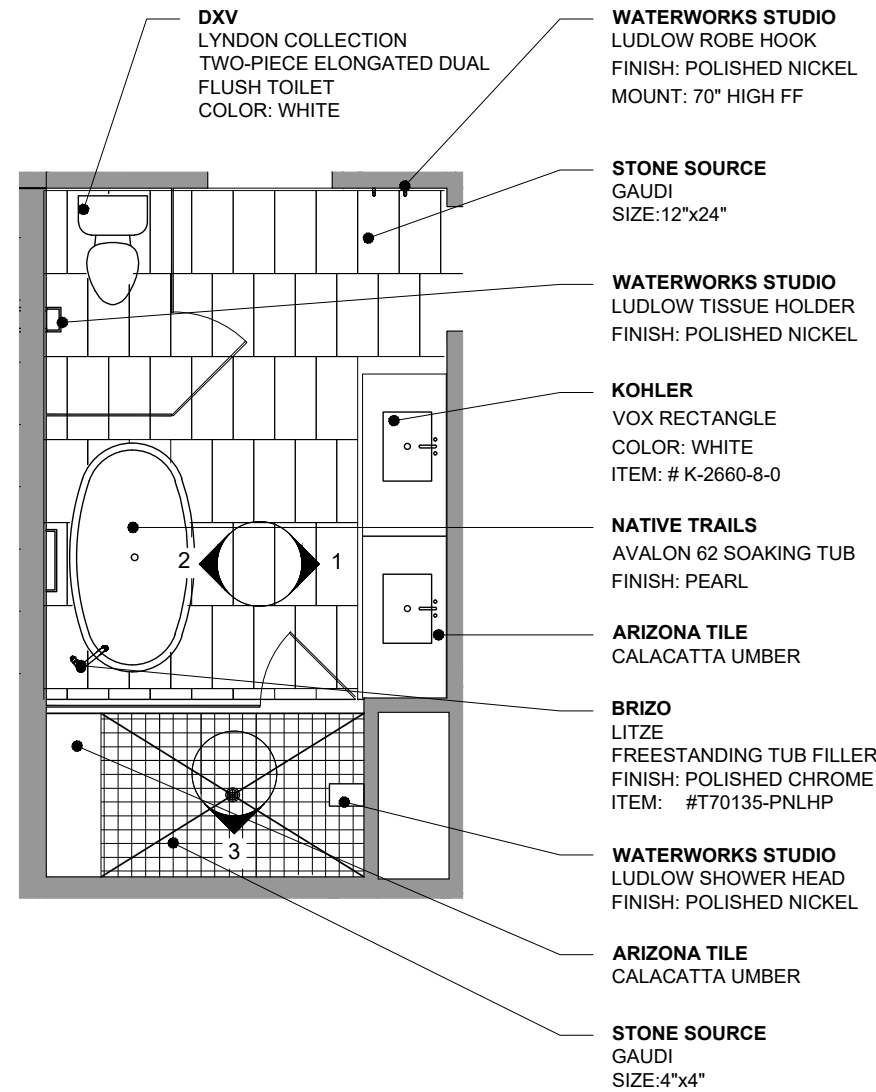
**WATERWORKS STUDIO**  
Ludlow  
Finish: Polished Nickel

ROBE HOOK



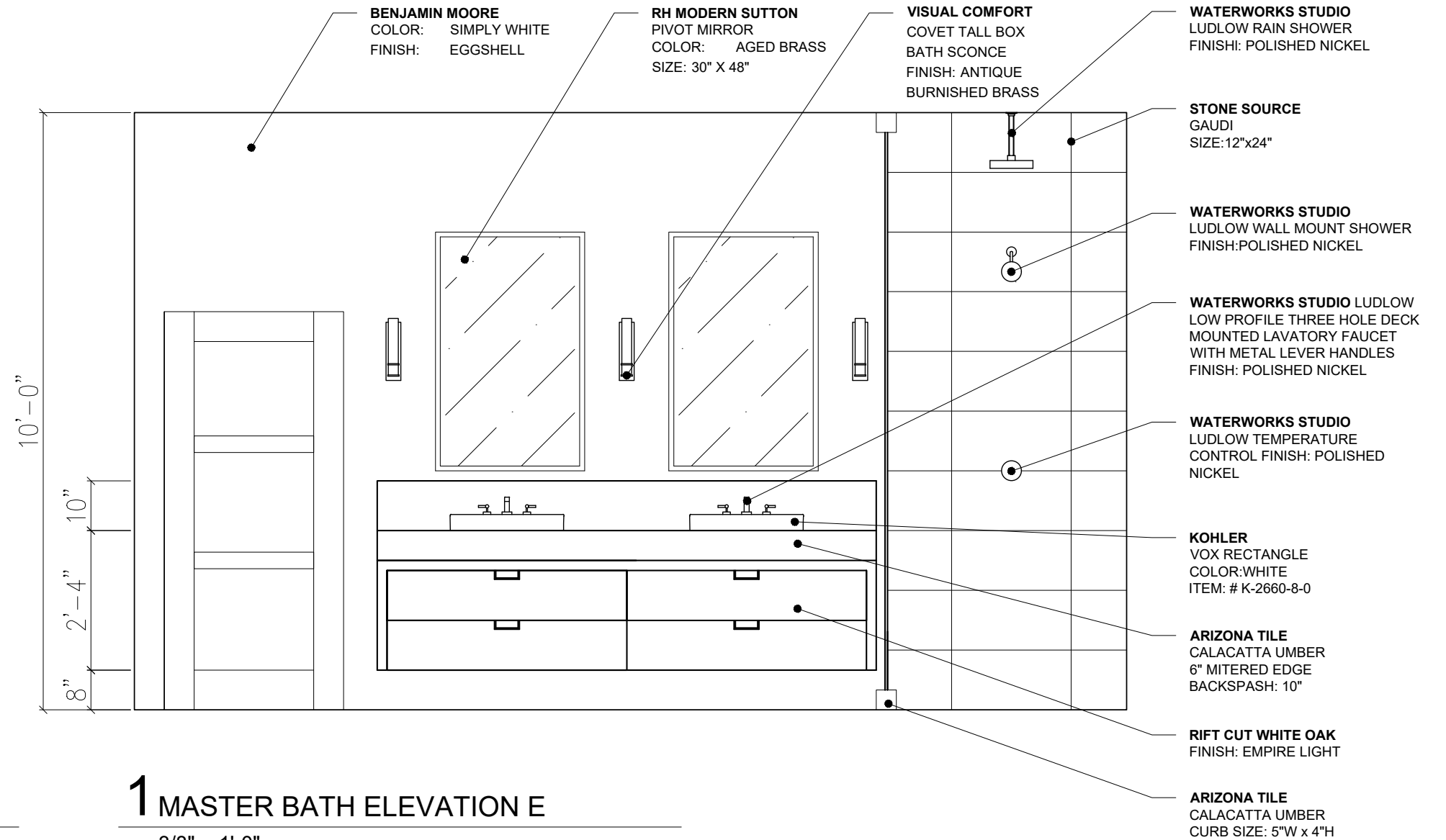
**WATERWORKS STUDIO**  
Ludlow  
Finish: Polished Nickel

# MASTER BATH ELEVATIONS



**MASTER BATH ENLARGED FLOOR PLAN**

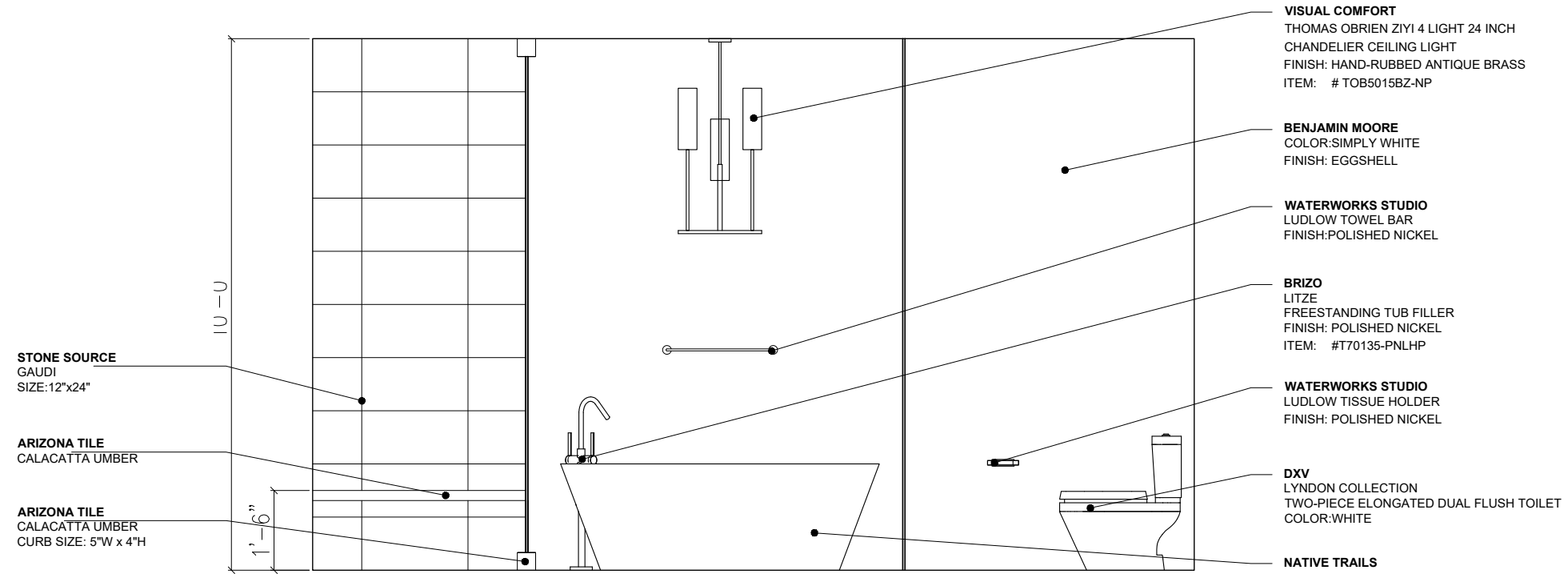
3/16" = 1'-0"



**1 MASTER BATH ELEVATION E**

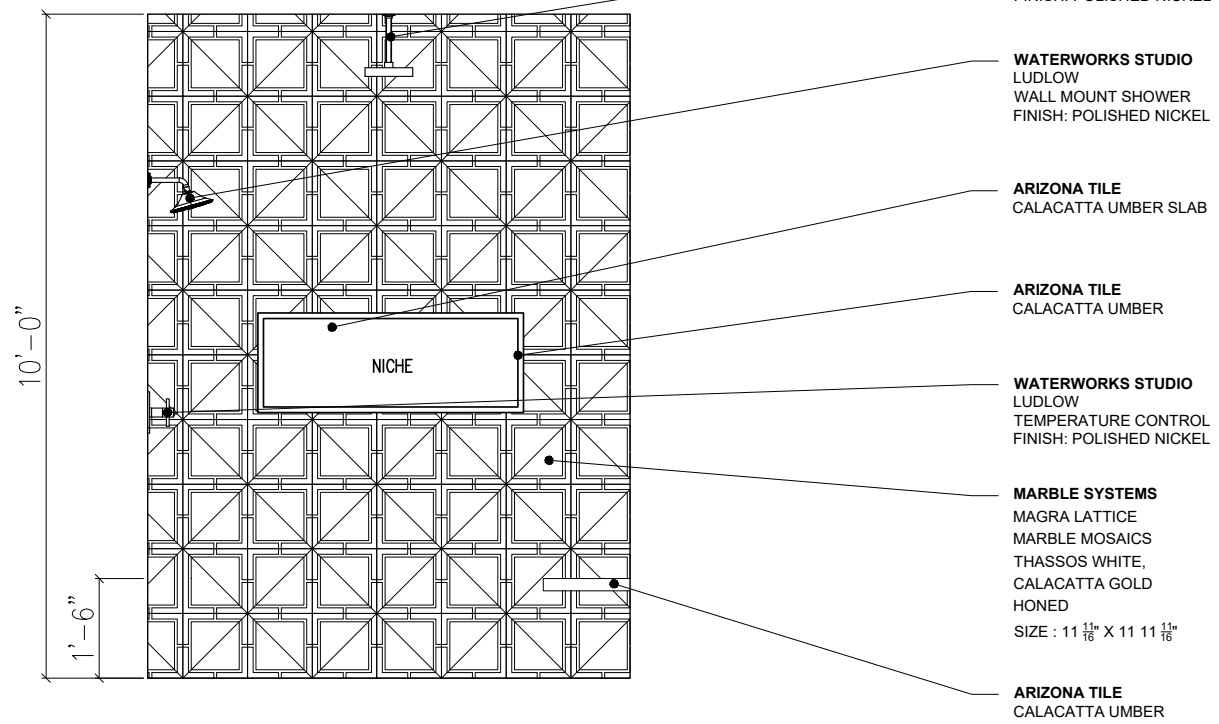
3/8" = 1'-0"

# MASTER BATH ELEVATIONS



**2 MASTER BATH ELEVATION W**

3/8" = 1'-0"



**3 MASTER BATH ELEVATION S**

3/8" = 1'-0"

# GUEST MASTER BEDROOM FINISHES

## WALL FINISH



**BENJAMIN MOORE**  
Color: Simply White  
Finish: Eggshell

## CARPET



**UNIQUE CARPETS**  
Style: Softer than Usual  
Color: Alpaca

## LIGHTING



**VISUAL COMFORT**  
Ralph Lauren Roark 20" Modular Ring Chandelier  
Finish: Polished Nickel  
Item#: RL5130PN

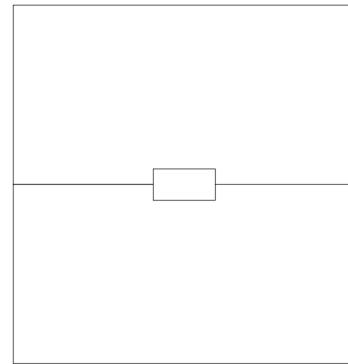
# GUEST MASTER BATH FINISHES

## WALL FINISH



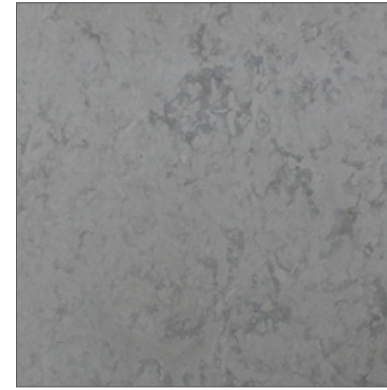
**BENJAMIN MOORE**  
Color: Simply White  
Finish: Eggshell

## CABINETSRY STYLE



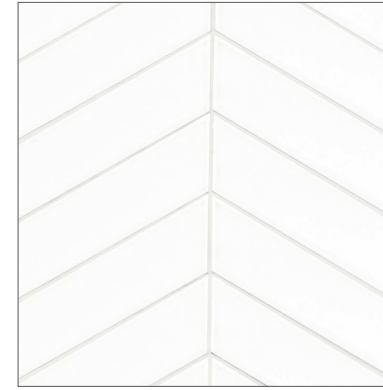
**PANEL STYLE**  
Drawers: Notched Out Flat Panel  
Doors: Flat Panel with Hardware

## COUNTERTOP & BACKSPLASH



**NOVA BLUE SLAB**  
2" Mitered Edge  
Height: 6"

## BACK SHOWER WALL



**BEDROSIANS**  
Provincetown  
Color: White  
Size: 3" x 6"

## SHOWER FLOOR



**BEDROSIANS**  
Provincetown  
Color: White  
Size: 3" x 6"

## FLOORING



**BEDROSIANS**  
Provincetown  
Color: White  
Size: 3" x 6"

## CABINET FINISH



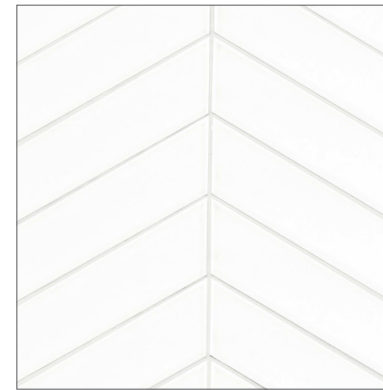
**RIFT CUT WHITE OAK**  
Horizontal Grain  
Color: Empire Light

## HARDWARE



**TOP KNOBS**  
Aspen 9" Flat Sided Pull  
Finish: Light Bronze

## SIDE SHOWER WALL



**BEDROSIANS**  
Provincetown  
Color: White  
Size: 3" x 6"

# GUEST MASTER BATH PLUMBING & ACCESSORIES

## FAUCET



**WATERWORKS STUDIO**  
Ludlow  
Low Profile Three Hole Deck Mounted Lavatory Faucet  
with Metal Cross Handles  
Finish: Polished Nickel

## SINK



**WATERWORKS STUDIO**  
Clara  
Undermount Rectangular Vitreous China Lavatory Sink  
Color: White  
Dimension: 20 1/16" x 14 1/8" x 8"

## SHOWER HEAD



**WATERWORKS STUDIO**  
Ludlow Shower Head  
Finish: Polished Nickel

## SHOWER CONTROL



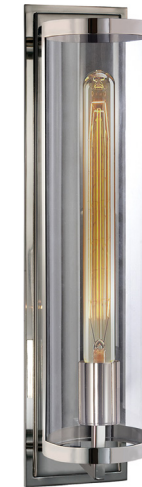
**WATERWORKS STUDIO**  
Ludlow Shower Control Trim  
Finish: Polished Nickel

## TOILET



**DXV**  
Lyndon Collection  
Two-Piece Elongated Dual Flush Toilet  
Color: White

## LIGHTING



**VISUAL COMFORT**  
Ian K. Fowler  
Casual Belden Round Sconce  
Finish: Polished Nickel  
Item#: S2017PN

# GUEST MASTER BATH ACCESSORIES

TOWEL RING



**WATERWORKS STUDIO**  
Ludlow  
Finish: Polished Nickel

TOILET PAPER HOLDER



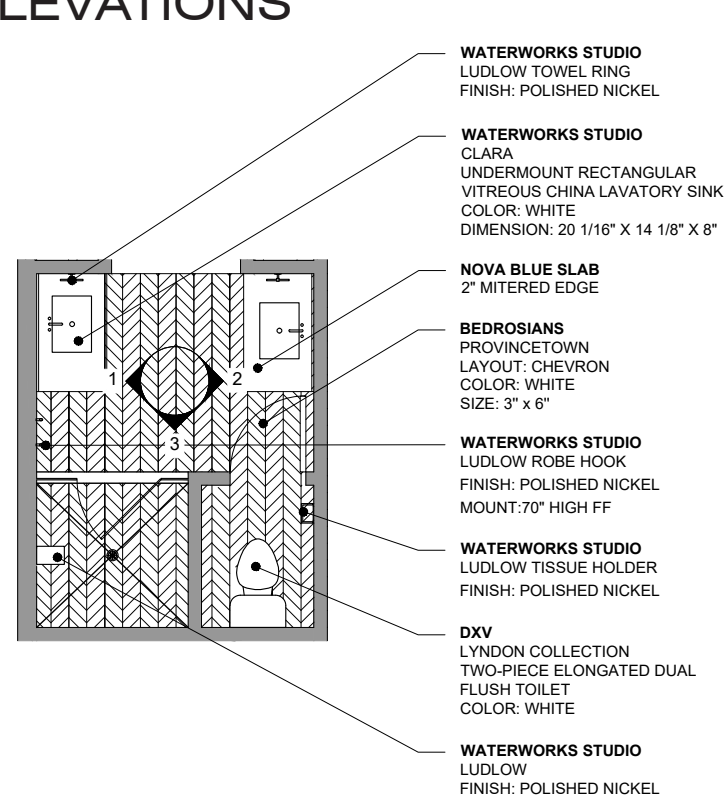
**WATERWORKS STUDIO**  
Ludlow  
Finish: Polished Nickel

ROBE HOOK

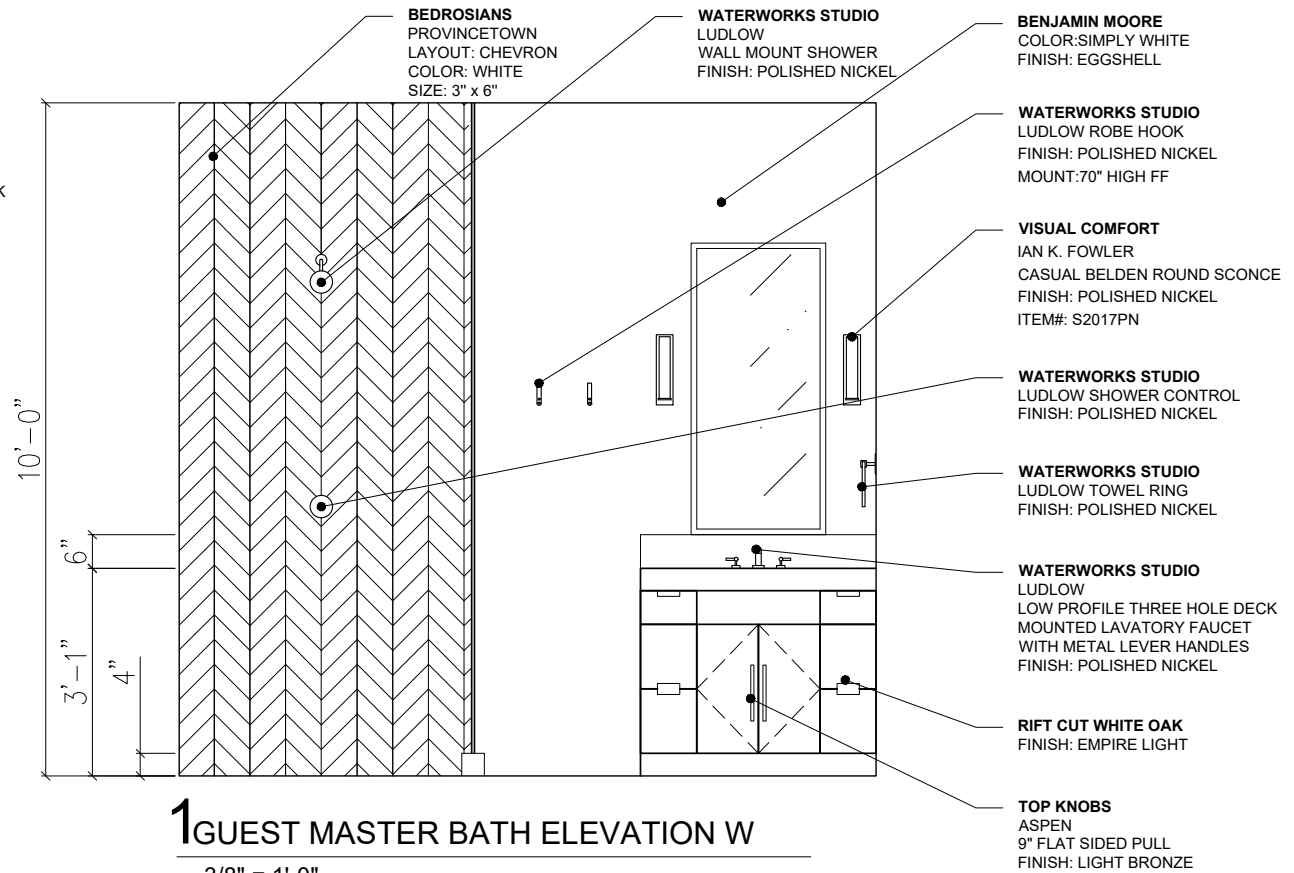


**WATERWORKS STUDIO**  
Ludlow  
Finish: Polished Nickel

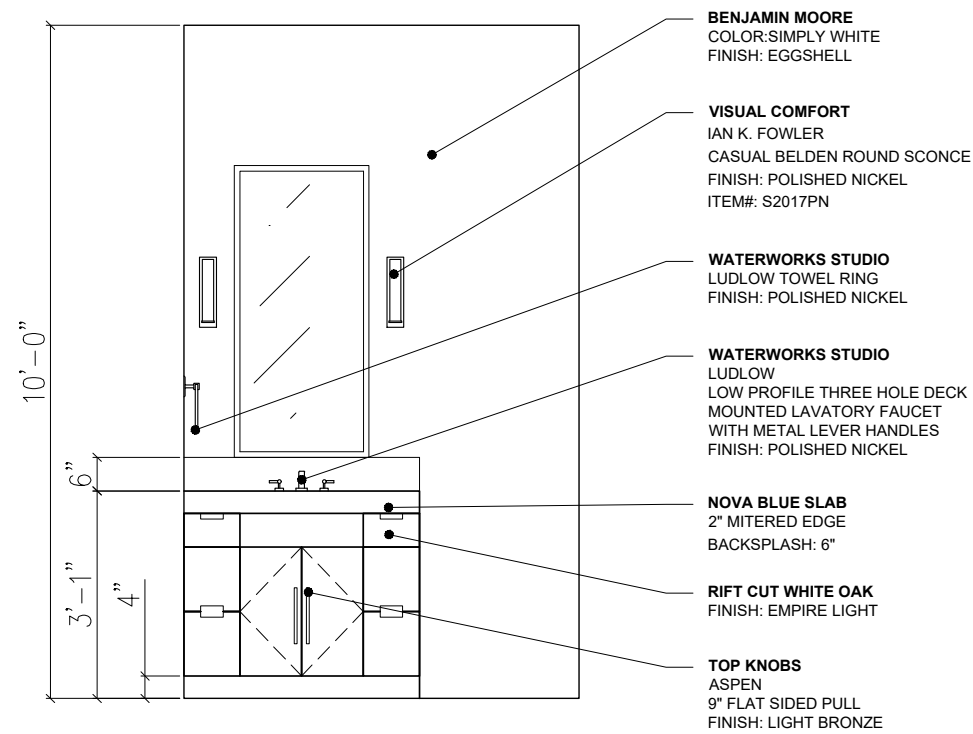
# GUEST MASTER BATH ELEVATIONS



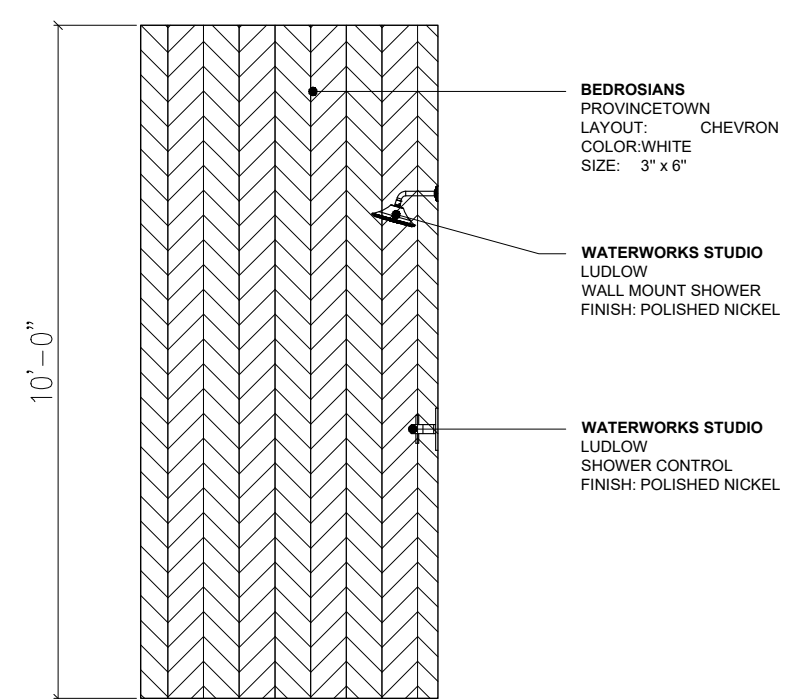
**GUEST MASTER BATH ENLARGED FLOOR PLAN**  
3/16" = 1'-0"



**1 GUEST MASTER BATH ELEVATION W**  
3/8" = 1'-0"



**2 GUEST MASTER BATH ELEVATION E**  
3/8" = 1'-0"

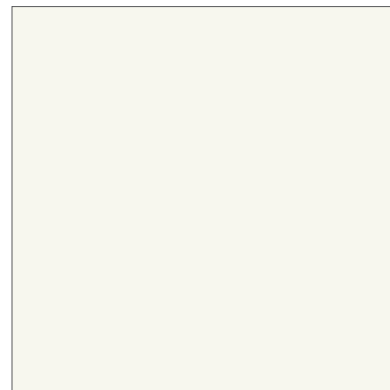


**3 GUEST MASTER BATH ELEVATION S**  
3/8" = 1'-0"



# BEDROOM #3 FINISHES

## WALL FINISH



**BENJAMIN MOORE**  
Color: Simply White  
Finish: Eggshell

## CARPET



**UNIQUE CARPETS**  
Style: Softer than Usual  
Color: Alpaca

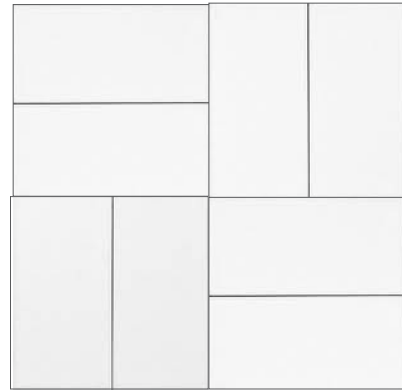
## LIGHTING



**HINKLEY LIGHTING**  
Charlotte Ceiling Mount  
Size: 20" x 13.5"  
Finish: Antique Nickel  
Item#: 3521AN

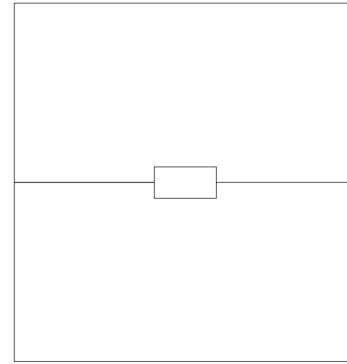
# BATH #3 FINISHES

## WALL FINISH



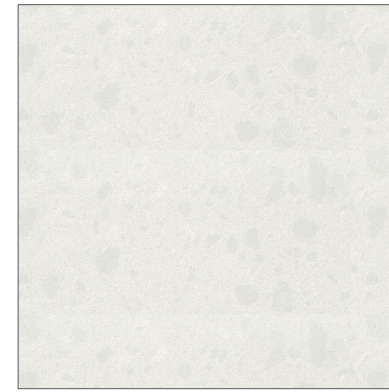
**WHITE SUBWAY TILE**  
Size: 3" x 6"

## CABINETSRY STYLE



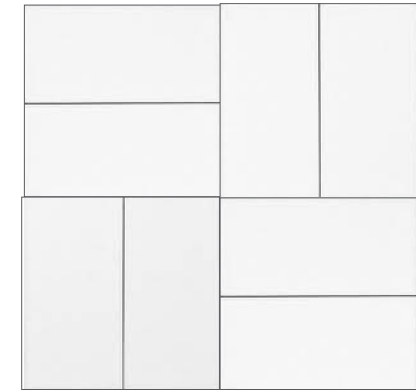
**PANEL STYLE**  
Drawers: Notched Out Flat Panel

## COUNTERTOP



**CAESARSTONE**  
Organic White  
2" Mitered Edge

## SHOWER WALL



**WHITE SUBWAY TILE**  
Size: 3" x 6"

## FLOORING



**TERRA ANTRACITE HEX**  
Size: 10"

## CABINET FINISH



**RIFT CUT WHITE OAK**  
Horizontal Grain  
Color: Empire Light

## SHOWER FLOOR



**WHITE HEX**  
Mosaic  
Size: 1"

# BATH #4 PLUMBING & ACCESSORIES

## FAUCET



**WATERWORKS STUDIO**  
Ludlow  
Low Profile Three Hole Deck Mounted Lavatory Faucet  
with Metal Cross Handles  
Finish: Polished Nickel

## SINK



**WATERWORKS STUDIO**  
Clara  
Undermount Rectangular Vitreous China Lavatory Sink  
Color: White  
Dimension: 20 1/16" x 14 1/8" x 8"

## SHOWER HEAD



**WATERWORKS STUDIO**  
Ludlow Shower Head  
Finish: Polished Nickel

## SHOWER CONTROL



**WATERWORKS STUDIO**  
Ludlow Shower Control Trim  
Finish: Polished Nickel"

## TOILET



**DXV**  
Lyndon Collection  
Two-Piece Elongated Dual Flush Toilet  
Color: White

## LIGHTING



**VISUAL COMFORT**  
Presidio Petite  
Finish: Polished Nickel  
Item#: S2165PN-CG

## BATH #3 ACCESSORIES

TOWEL BAR



**WATERWORKS STUDIO**  
Ludlow  
Finish: Polished Nickel

TOWEL RING



**WATERWORKS STUDIO**  
Ludlow  
Finish: Polished Nickel

TOILET PAPER HOLDER



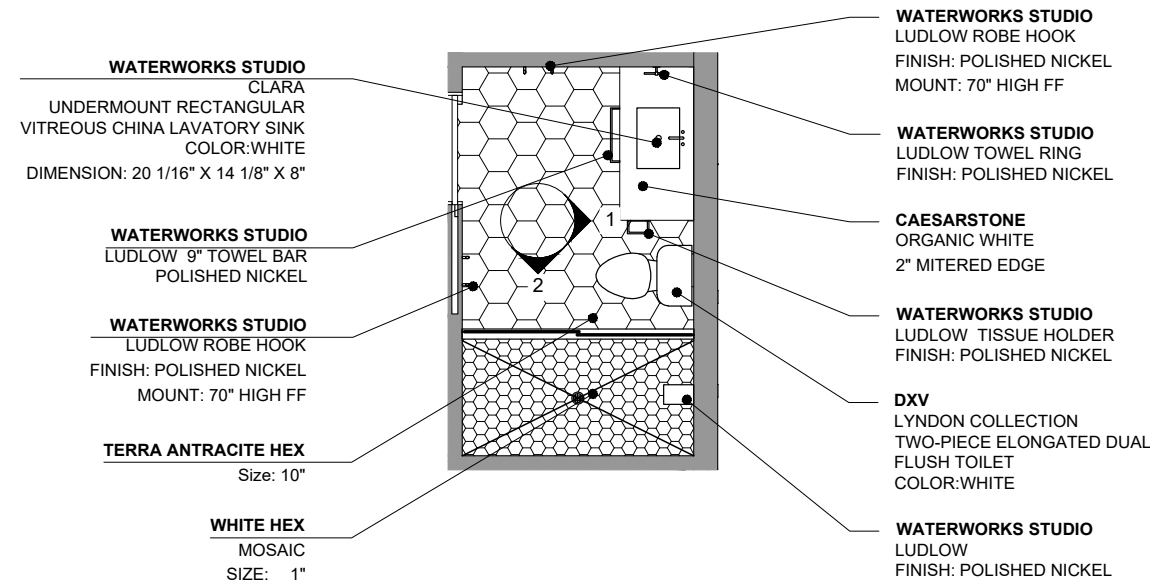
**WATERWORKS STUDIO**  
Ludlow  
Finish: Polished Nickel

ROBE HOOK



**WATERWORKS STUDIO**  
Ludlow  
Finish: Polished Nickel

# BATH #3 ELEVATIONS



**BATH #3 ENLARGED FLOOR PLAN**

3/16" = 1'-0"

